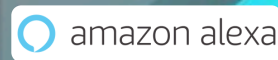


CyanWallSwitch

RGBCW Wireless Wall Switch



CyanWallSwitch

RGBCW Wireless Wall Switch



Features

- RGB and Tunable White Control
- SmartAir - App / Voice Control
- 3-Way (Optional)
- Dim-to-Off
- Flicker-Free Soft Dimming - Down to 0.1%
- 120VAC Wall Switch with No Battery Required
- UL Listed
- A Single Wall Switch Can Control Multiple LED Controllers
- Simple Installation - no Extra Wiring
- Fits US Standard Multi Gang Box
- Compatible with any Decora Wall Plate
- Complies to IEEE and Title 24 Flicker Requirements
- Classic Design to Match Existing Style Switches
- Fast Delivery – Shipping out of NY



Part Number: CYAN-RGBCW-SW3

Electrical Specifications

| Specifications | Description |
|-------------------------|------------------------------|
| Input: | 120 VAC ~ 50/60Hz |
| Max Load Hardwired: | 500W |
| Max Load Non-Wired: | Unlimited |
| UL Listed: | UL1472 / CSA C22.2 184.1 |
| FCC: | Class B Part 15 |
| Ambient Operating Temp: | -30°C - +40°C/-86°F - +104°F |
| Control Protocol: | RF / WIFI |
| Dimming Range : | 0.1 - 100% |
| Dim to Off : | Yes |
| Dimming Method : | PWM (2400Hz) |

Compatible Controller

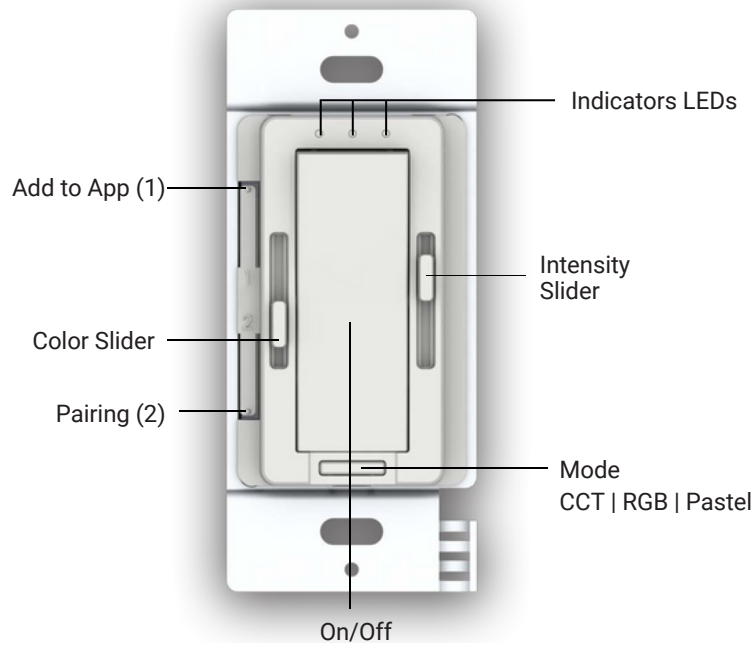
| Part Number | Description |
|---------------------|----------------------------|
| STCV-B-100W-C-RGBCW | 24VDC RGBCW LED Controller |



CyanWallSwitch RGBCW Wireless Wall Switch

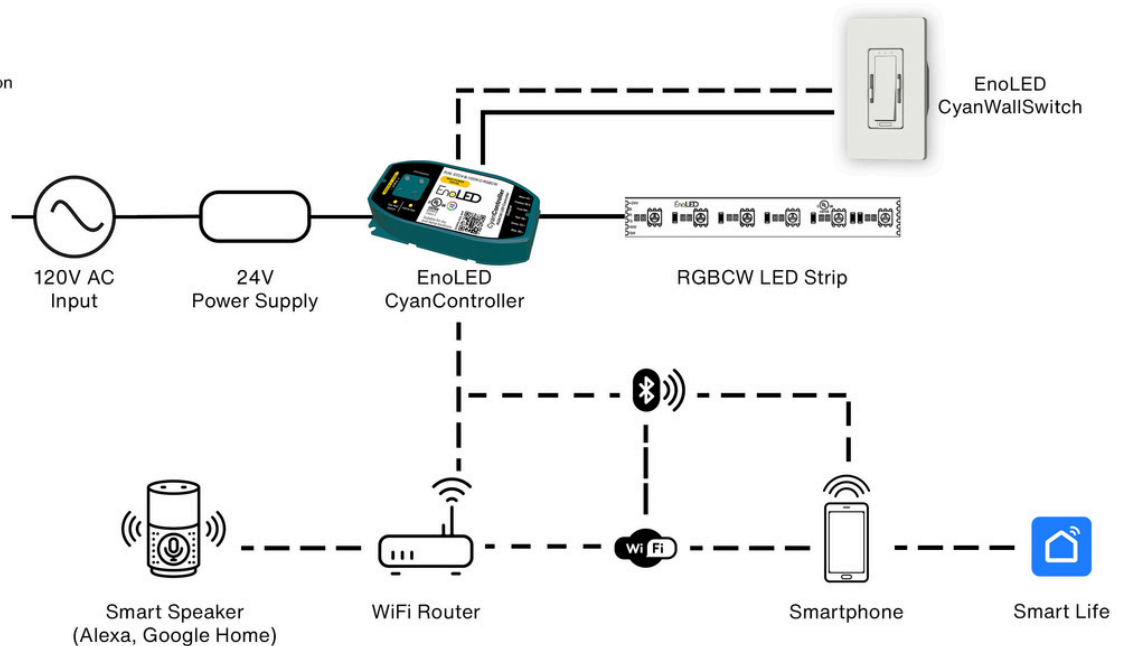


User Interface

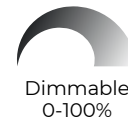


System Setup

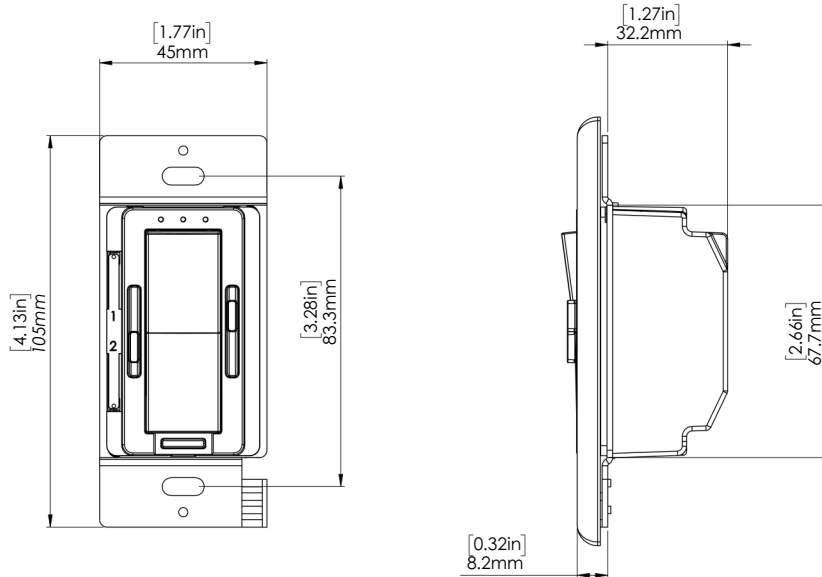
— Wired Connection
- - - Wireless Connection



CyanWallSwitch RGBCW Wireless Wall Switch



Mechanical Specifications



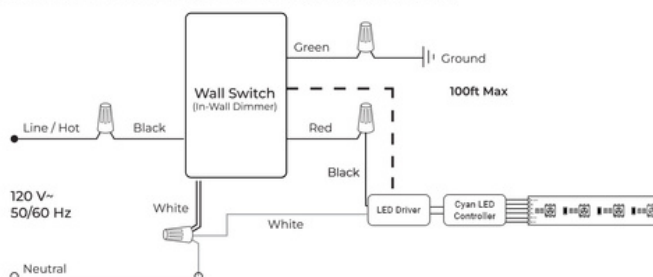
Note: Requires a U.S. wallbox 2in (64 mm) deep minimum.

| | |
|-----------|------------------------|
| Material: | PC/ABS - 5VA Rating |
| Finish: | White Glossy (Default) |

Wiring Diagrams Overview

Wired Wall Switch Wiring Diagram

Connect wires according to the wiring diagram below.



Non-Wired Wall Switch Wiring Diagram

Connect wires according to the wiring diagram below.

