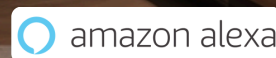
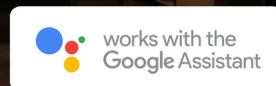
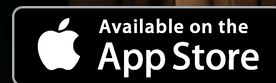


# CyanWallSwitch

Tunable White Wireless Wall Switch



## CyanWallSwitch Tunable White Wireless Wall Switch



### Features

- Tunable White Control
- SmartAir - App / Voice Control
- 3-Way (Optional)
- Dim-to-Off
- Flicker-Free Soft Dimming - Down to 0.1%
- 120VAC Wall Switch with No Battery Required
- UL Listed
- A Single Wall Switch Can Control Multiple LED Controllers
- Simple Installation - no Extra Wiring
- Fits US Standard Multi Gang Box
- Compatible with any Decora Wall Plate
- Complies to IEEE and Title 24 Flicker Requirements
- Classic Design to Match Existing Style Switches
- Fast Delivery – Shipping out of NY



Part Number: CYAN-TW-SW3

### Electrical Specifications

Specifications	Description
Input:	120 VAC ~ 50/60Hz
Max Load Hardwired:	500W
Max Load Non-Wired:	Unlimited
UL Listed:	UL1472 / CSA C22.2 184.1
FCC:	Class B Part 15
Ambient Operating Temp:	-30°C - +40°C/-86°F - +104°F
Control Protocol:	RF / WIFI
Dimming Range :	0.1 - 100%
Dim to Off :	Yes
Dimming Method :	PWM (2400Hz)

### Compatible Controller

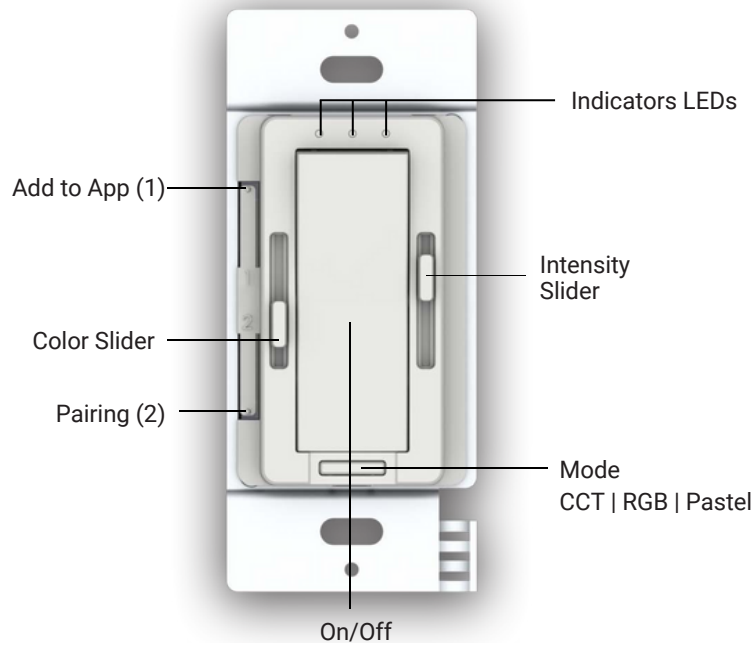
Part Number	Description
STCV-B-100W-C-TW	Cyan 24VDC Tunable White LED Controller



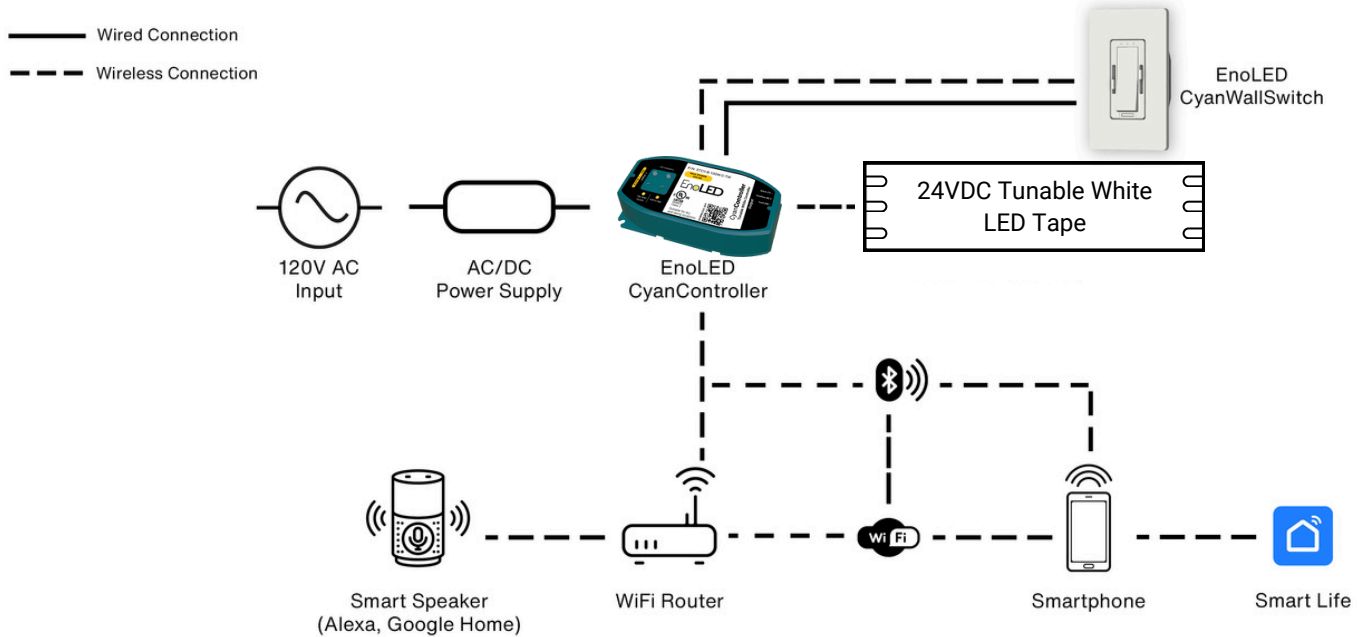
## CyanWallSwitch Tunable White Wireless Wall Switch



### User Interface



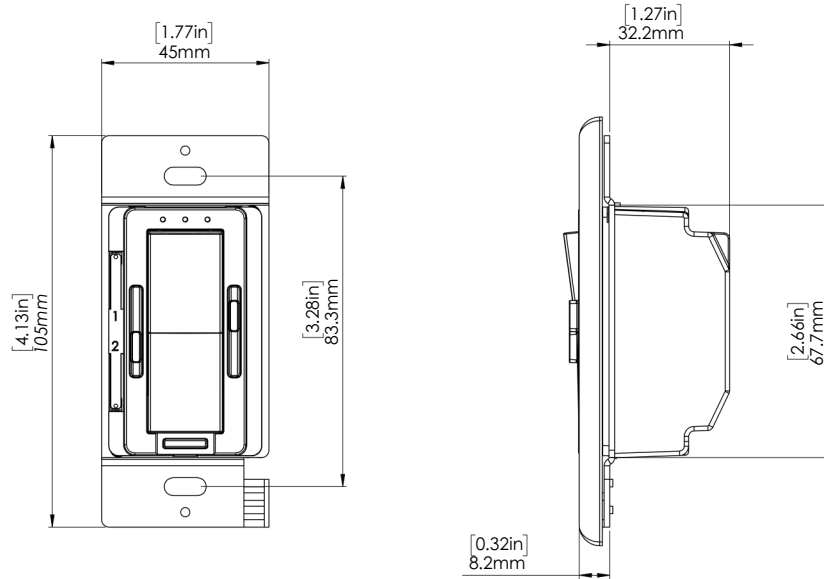
### System Setup



## CyanWallSwitch Tunable White Wireless Wall Switch



### Mechanical Specifications



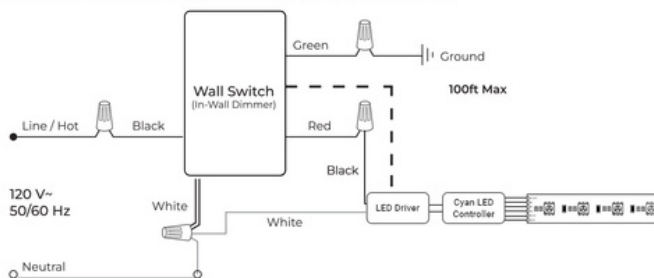
Note: Requires a U.S. wallbox 2in (64 mm) deep minimum.

Material:	PC/ABS - 5VA Rating
Finish:	White Glossy (Default)

### Wiring Diagrams Overview

#### Wired Wall Switch Wiring Diagram

Connect wires according to the wiring diagram below.



#### Non-Wired Wall Switch Wiring Diagram

Connect wires according to the wiring diagram below.

