

XRD & MRD Series Compact Dimmable LED Drivers

P/N: XRD-xxxW-xxVDC
P/N: MRD-xxW-xxVDC

Warning

To avoid fire, shock, or death, turn the power off at the circuit breaks before wiring.

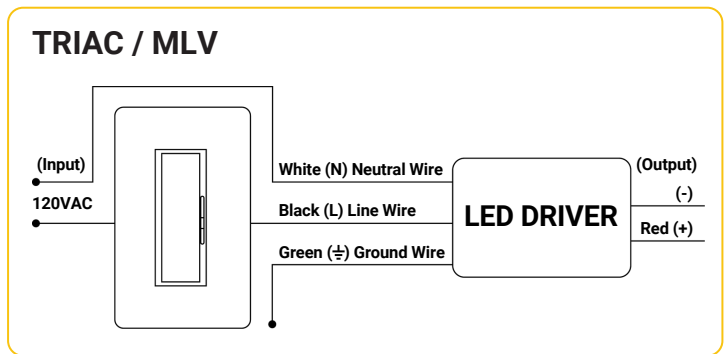
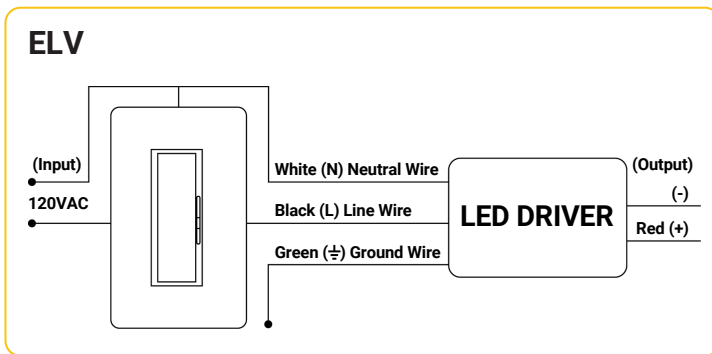
Mounting the Driver

Select a suitable location that can provide adequate support for the weight of the driver. It is recommended to install the driver vertically for maximum heat dissipation. Install the driver in a well-ventilated area free from explosive gases and vapors. If you are installing more than one driver, keep at least a 6" distance between each driver.

Quick Specs	
Input Voltage	120VAC
Output Voltage	24VDC / 12VDC (check label)
Dimming Type	Incandescent/CLF/LED/ MLV/ELV
Ambient Temp	-40°F - 104°F (-40°C - 40°C)
Environment	Damp and dry locations

Wire Connections

With the power switched off, connect the wires according to the wiring diagram below.



Customer Support

For technical questions regarding the installation or operation of this product, please contact our customer support team:

 +1 216-208-4974  customercare@enoled.com

Some dimmers may cause low-end flickering. To prevent this, adjust the dimmer's low-end trim setting.

