

MX1 Series Compact Dimmable LED Drivers

P/N: MX1-xxxW-24VDC

Warning

To avoid fire, shock, or death, turn the power off at the circuit breaks before wiring.

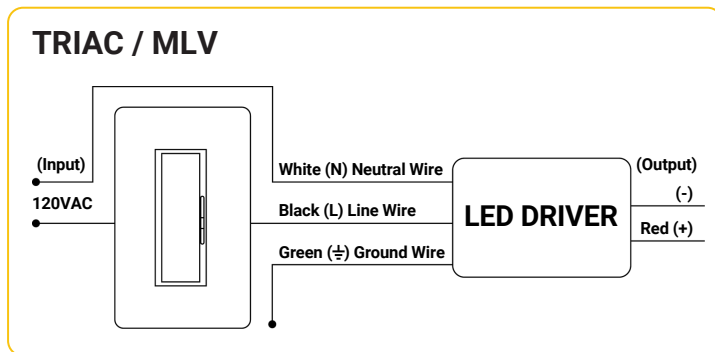
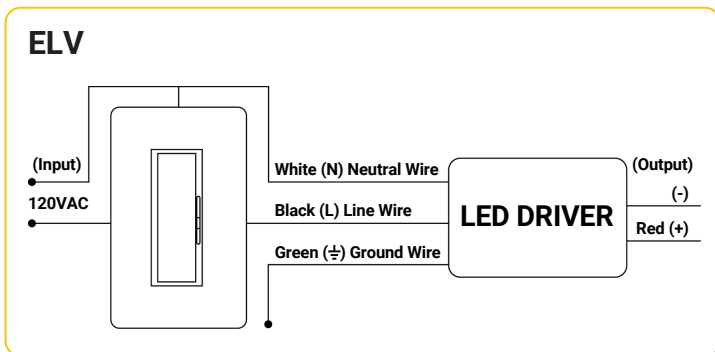
Mounting the Driver

Select a suitable location that can provide adequate support for the weight of the driver. It is recommended to install the driver vertically for maximum heat dissipation. Install the driver in a well-ventilated area free from explosive gases and vapors. If you are installing more than one driver, keep at least a 6" distance between each driver.

| Quick Specs | |
|----------------|-------------------------------|
| Input Voltage | 120VAC |
| Output Voltage | 24VDC |
| Dimming Type | Incandescent/CLF/LED/ MLV/ELV |
| Ambient Temp | -40°F - 104°F (-40°C - 40°C) |
| Environment | Dry and wet locations |

Wire Connections

With the power switched off, connect the wires according to the wiring diagram below.



Customer Support

For technical questions regarding the installation or operation of this product, please contact our customer support team:

 +1 216-208-4974  customer@enoled.com

Some dimmers may cause low-end flickering. To prevent this, adjust the dimmer's low-end trim setting.

