

SL-314-S-94

Surface Mount LED Channel

Description

The SL-314-S-94 is a surface mount LED channel. It includes a channel, lens, end caps, and mounting clips. Available in 94" sections.

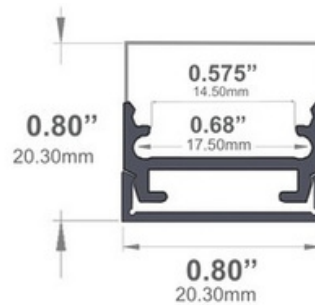


Features

- Compatible with all of EnoLED's LED Tapes
- Hotspot-free with EnoLED's COB Tape
- Aluminium Finish
- Available in 94" sections
- Field Cuttable
- Includes a channel, lens, end caps, and mounting clips
- Max tape width: 0.68" (17.50mm)

Dimensions

SL-314-S-94



Width (outside): 0.80" (20.30mm)

Width (inside): 0.68" (17.50mm)

Height: 0.80" (20.30mm)

Length: 94" (2.38m)

Ordering Information

Ordering Code	Description
SL-314-S-94	94" Channel kit - Includes 1 channel, 1 cover lens, 2 end caps, 3 mounting clips and screws
SL-314-S-94-CL	94" Cover lens
SL-314-S-94-EC-P2	End caps - 2 pair pack includes 2 open, 2 closed
SL-314-S-94-EC-P10	End caps - 10 pair pack includes 10 open, 10 closed
SL-314-S-94-MC-P3	Mounting clips - 3 units pack