

ZeroTone

Dual Channel 0-10V Wall Switch



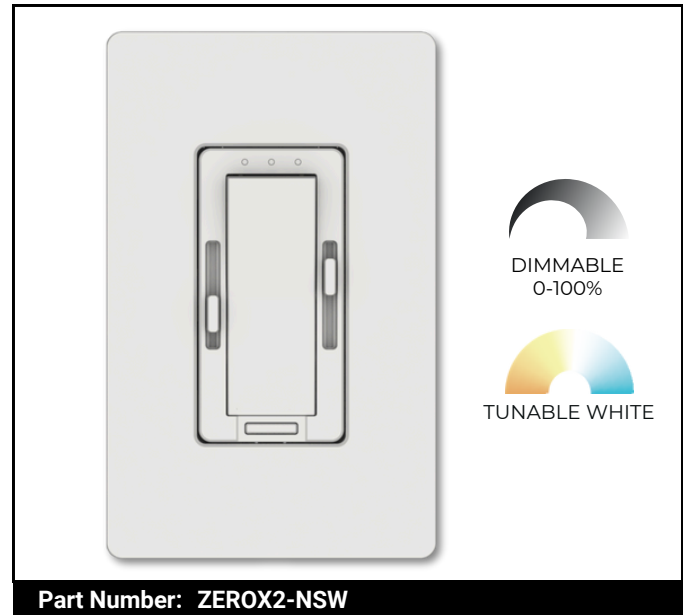
ZeroTone

Dual Channel 0-10V Wall Switch



Features

- Dual Channel 0-10V in one Switch for Tunable White and
- Dimming Control
- Eliminates the Need for Two Separated Dimmers
- Smart Life - App / Voice Control
- Compatible with two Channel LED Drivers and Controllers
- Adjustable on-field Low and High-End Trimming
- UL Approved Under 1472 Standard
- Classic Design to Match Existing Style Switches
- Built-In Relay
- Fast Delivery
- Shipping out of NY



Electrical Specifications

Specifications	Description
Input:	120 VAC ~ 50/60Hz
Max Load Hardwired:	500W
UL Listed:	UL1472 / CSA C22.2 184.1
FCC:	Class B Part 15
Ambient Operating Temp:	-30 °C - + 40 °C / -86°F - + 104°F

Dimming Performance

Dimming Protocol:	0-10V
Control Type:	Source / Sync
Control Channels:	2
Dimming Curve:	Linear

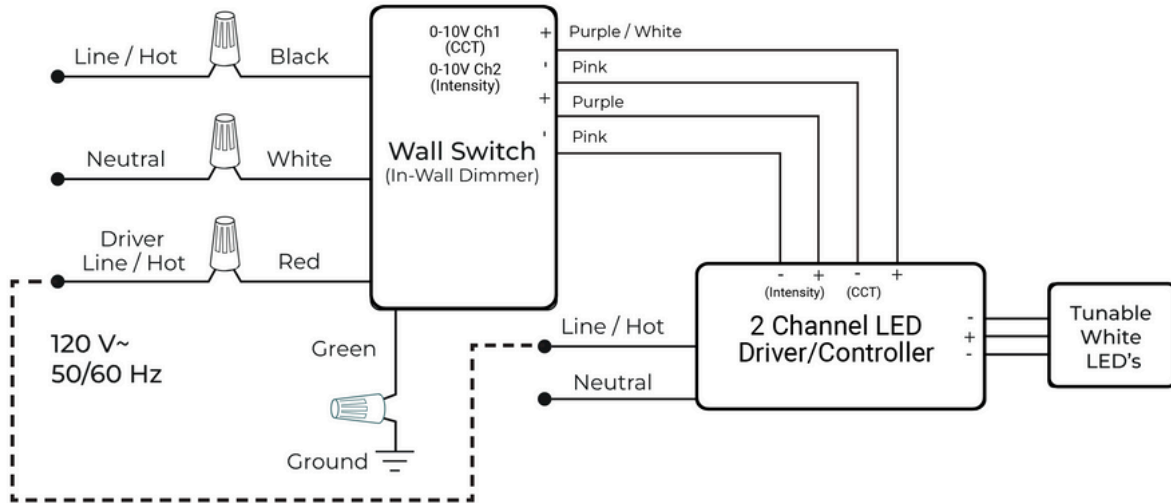


ZeroTone

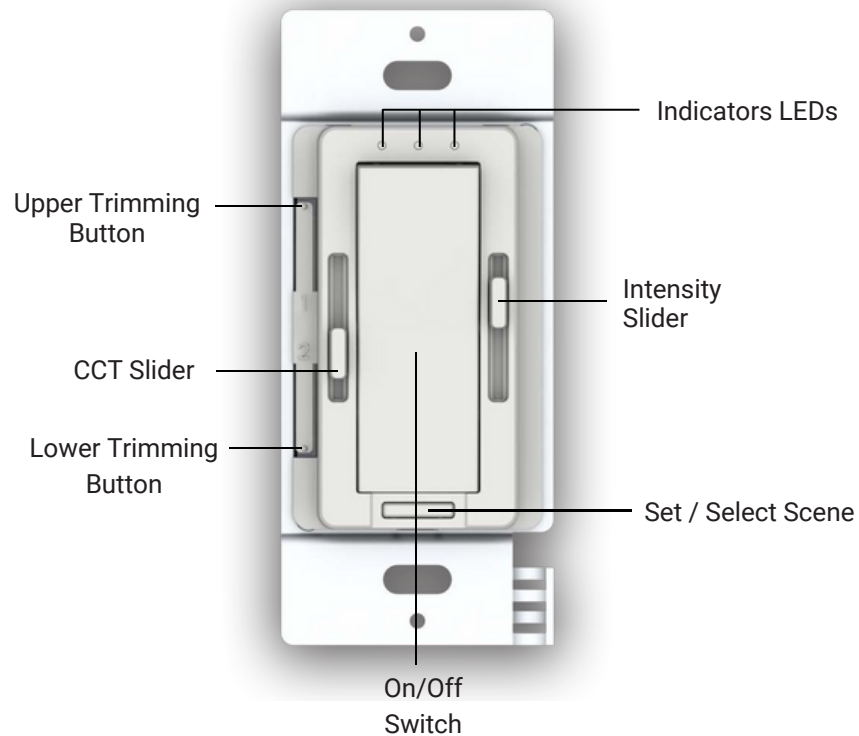
Dual Channel 0-10V Wall Switch



System Setup



User Interface

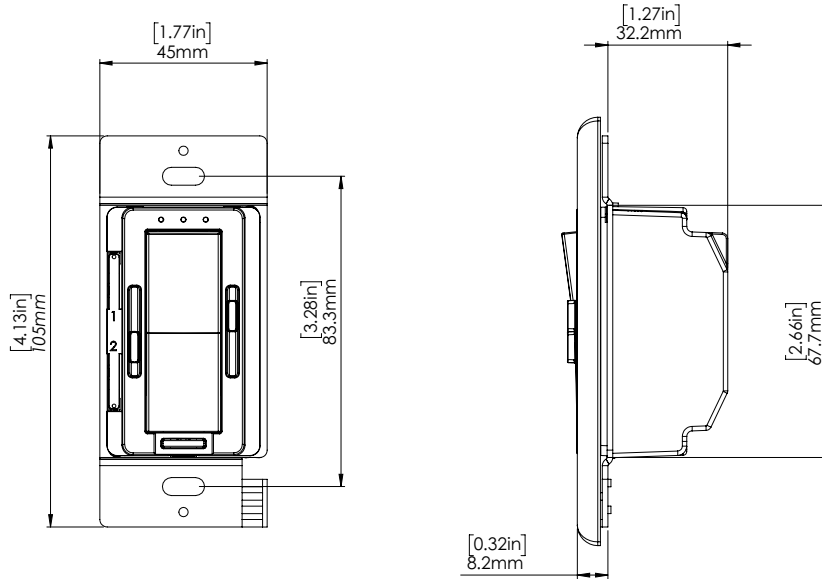


ZeroTone

Dual Channel 0-10V Wall Switch



Mechanical Specifications



Note: Requires a U.S. wallbox 2in (64 mm) deep minimum.

Material:	PC/ABS - 5VA Rating
Finish:	White Glossy (Default)