

ZeroTone

Dual Channel 0-10V Wall Switch

P/N: ZEROX2-NSW



Wall Switch Installation

Important Notes:

Please read before installing.

1. Use only with permanently installed fixtures with 0-10V - sourcing LED drivers or ballasts.
2. This product is intended for Class 1 installations only. Install in accordance with all national and local electrical codes.
3. For new installations, AmbienTech recommends installing a test switch before installing the control.
4. Protect the control from dust and dirt when painting.
5. Clean control with a soft damp cloth only. Do not use any chemical cleaners.
6. 0% - 90% humidity, non-condensing.
6. For indoor use only.

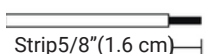
Before You Begin

To avoid fire, shock, or death, turn the power Off at circuit breaker and test to ensure the power is Off before wiring.



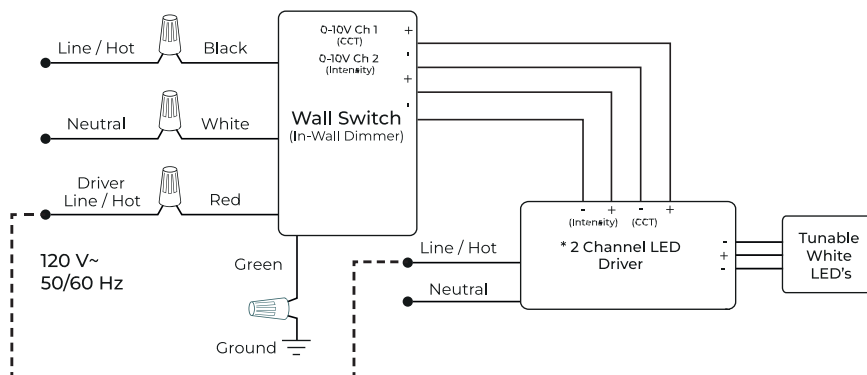
Step 1: Prepare Wall Box Wires

1. Make sure that the ends of the wires from the wall box are straight (cut if needed).
2. Strip the wire insulator for each wire inside the wall box as shown here:



Step 2: Wire Wall Switch

Connect wires according to the wiring diagram below:

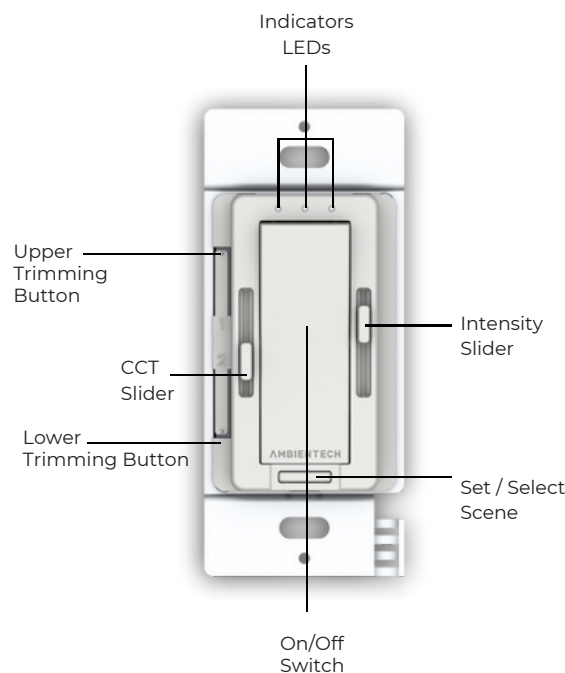


Step 3: Mount the Wall Switch

Mount the Wall Switch into the wall box using the appropriate screws. Do not use a drill screwdriver.

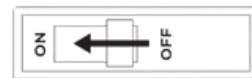
Operation Instruction

Dimmer Overview (Front panel removed)



Step 4: Restore Power

1. Turn the power On at the circuit breaker.
2. The Three Indicator LEDs will turn on for ~2 sec.



ZeroTone Dual Channel 0-10V Wall Switch

P/N: ZEROX2-NSW



3-Way Wall Switch Installation

Before You Begin

To avoid fire, shock, or death, turn the power Off at circuit breaker and test to ensure the power is Off before wiring.



Preparations:

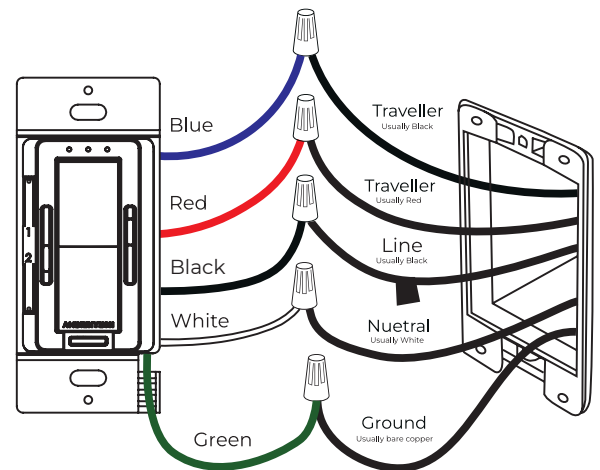
Installation begins by removing the wall plates and screws from both sides of the three-way switches. Carefully detach the switches from the wall, ensuring the wires stay connected. Securely hang the switches from the wires as you proceed with the installation. Before disconnecting any wires, identify and mark the wire that attached to the 'Common' terminal, which is in a uniquely colored screw.

Find out if the wall box in which you want to install the dimmer is on the line side or the load side of the three-way.

3-Way Wall Switch Installation on line side

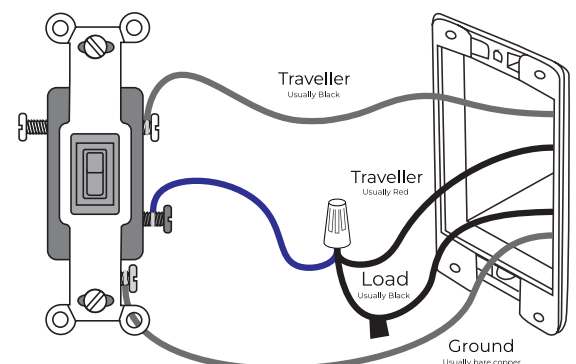
Line Side:

1. Take the ground wire of the existing switch, and connect it to the green wire of the dimmer.
2. Locate the Neutral wire inside the wall switch (this wire might not used in the old Installation.) and connect it to the white wire of the dimmer.
3. Connect the tape marked wire to the Black wire of the dimmer.
4. Connect one of the remaining wire to the Red wire of the dimmer.
5. Connect the last wire to the Blue wire of the dimmer.
6. Install the dimmer into the wall box.



Adjusting Wiring for the Other Switch:

1. Remove the labeled wire and one additional wire from the switch.
2. Connect these two wires using a jumper wire (pigtail).
3. Fasten the jumper wire (pigtail) onto the uniquely colored screw on the switch.
4. Securely reinstall the switch into the wall box.
5. Turn off and on both wall switches of the 3-Way. Ensure they are functioning correctly before pairing with the lighting fixtures.



ZeroTone Dual Channel 0-10V Wall Switch

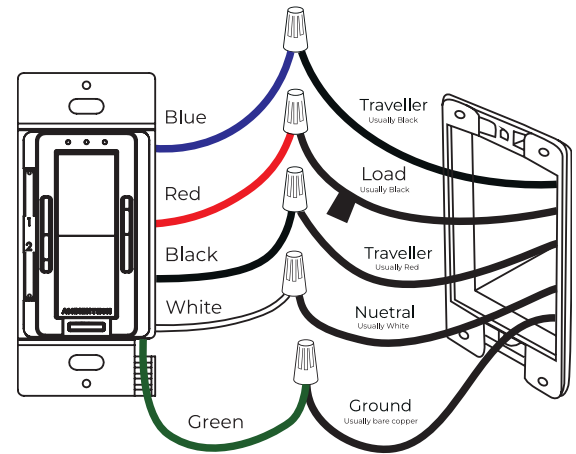
P/N: ZEROX2-NSW



3-Way Wall Switch Installation on load side

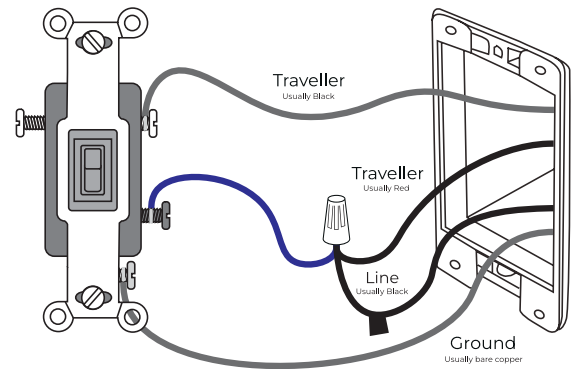
LoadSide:

1. Take the ground wire of the existing switch, and connect it to the green wire of the dimmer.
2. Locate the Neutral wire inside the wall switch (this wire might not be used in the old installation) and connect it to the white wire of the dimmer.
3. Connect the tape marked wire to the Red wire of the dimmer.
4. Connect one of the remaining wire to the Black wire of the dimmer.
5. Connect the last wire to the Blue wire of the dimmer.
6. Install the dimmer into the wall box.



Adjusting Wiring for the Other Switch:

1. Remove the labeled wire and one additional wire from the switch.
2. Connect these two wires using a jumper wire (pigtail).
3. Fasten the jumper wire (pigtail) onto the uniquely colored screw on the switch.
3. Securely reinstall the switch into the wall box.
4. Turn off and on both wall switches of the 3-Way. Ensure they are functioning correctly before pairing with the lighting fixtures.



Trimming

Introduction

Trimming is used to adjust the minimum and maximum light levels and color temperatures, at the top and bottom slider positions. Trimming is optional, but it can be used to improve the dimmer's behavior if needed. The Trimming may vary depending on the type of driver being used. Dead slider areas are areas of the slider where there is no change in the light level or color temperature. Trimming can be used to eliminate these areas. Setting the minimum dimming level to a low level can help to create a more subtle dimming effect.

Trimming Steps

Each of the following steps is optional and needed if you are not satisfied with the maximum or minimum light level or CCT at lower and higher slider positions.

Preparations:

Before performing any action, ensure that the Wall Switch cover plate is removed, and all buttons are exposed and accessible. Ensure the placement of the two Trimming buttons at the left side of the dimmer, and check that they are accessible and ready for operation. see "Dimmer Overview" Drawing, and turn on the light.

Step 1: Set Minimum Brightness.

1. Move the right slider down until it reaches the minimum desired light level.
2. Long-press the lower trimming button until you see a short blink of the BLUE LED Indicator.

This sets the light intensity at the intensity slider lower level.

Step 2: Set Maximum Brightness.

1. Move the right slider up until it reaches Maximum light level.
2. Long-press the upper trimming button until you see a short blink of the BLUE LED Indicator.

This sets the light intensity at the intensity slider upper level.

Step 3: Set Minimum Color Temperature.

1. Move the left slider down until it reaches the minimum desired Color Temperature level.
2. Long-press the lower trimming button until you see a short blink of the Green LED Indicator. This sets the Color Temperature at the CCT Slider lower level.

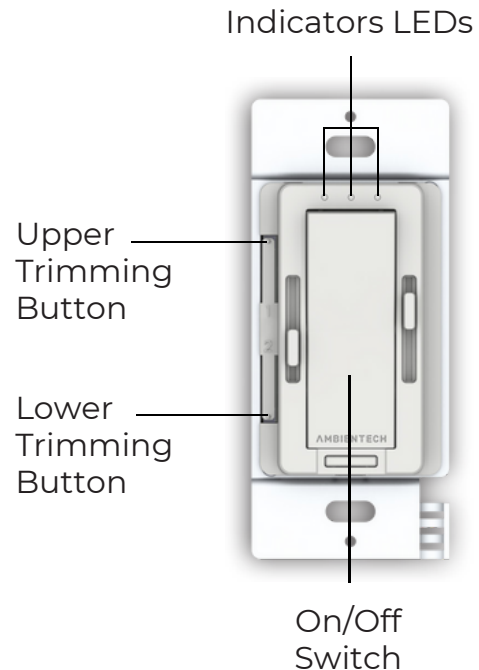
Step 4: Set Maximum Color Temperature.

1. Move the left slider up until it reaches the Maximum desired Color Temperature level.
2. Long-press the upper trimming button until you see a short blink of the Green LED Indicator. This sets the Color Temperature at the CCT Slider upper level.

Ressetting The Trimming

If you find the current trimming settings unsatisfactory and wish to return them to their default values and trim again follow these steps:

1. Turn off the lights by pressing the "On/Off" switch.
2. Simultaneously, perform a long press on both the lower and upper trimming buttons until you see a short blink of the Red LED indicator.
3. Turn the lights back on, and you can now begin the trimming process again.



Advanced Trimming

In certain cases, when working with specific driver types, achieving the desired minimum intensity level using the slider alone may be challenging. To address this, you can gradually adjust the light brightness by using short presses of either the lower or upper trimming buttons. This adjustment is typically necessary only when configuring the minimum intensity level.

Here are the steps to follow:

1. Ensure that the dimmer trimming is set to its default level. If it isn't or you're unsure, refer to the "resetting the trimming" instructions provided earlier.
2. Move the intensity slider as close as possible to your desired level.
3. Use short presses of the upper trimming button to increase intensity or the lower trimming button to decrease it, until you reach the desired light level. If the initial level is significantly different from your desired level, you may need to perform many short presses to fine-tune it. Keep in mind that after using the trimming buttons with short presses, the sliders will temporarily become inactive. To reactivate them, turn the lights off and then back on again.
4. Once you've achieved the desired light level, perform a long press on the lower trimming button until you see a short blink of the BLUE LED indicator.

These steps should help you to fine-tune the minimum intensity level.

ZeroTone

Dual Channel 0-10V Wall Switch

P/N: ZEROX2-NSW



Operation Instructions

General Operation

These are the operation buttons and indicator components of the wall switch:

- Indicators LEDs:** Indicator lights for the selected Scenario.
- Intensity Slider:** Adjusts the brightness of the light.
- CCT Slider:** Changes the color temperature of the light.
- On/Off Switch:** Controls the power state of the lights.
- Set / Select Scene:** Activates various lighting Scenarios. Please see the "Scenario Operation" section for further details.

Scenes Setup

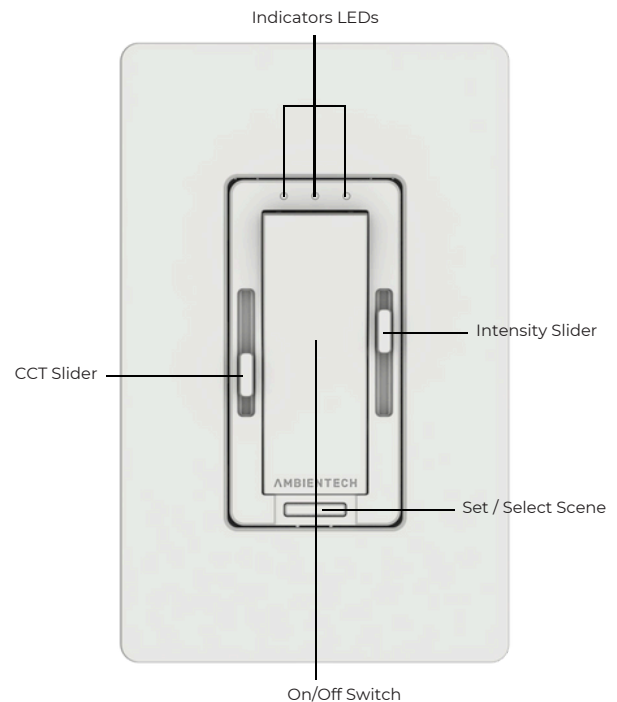
The Wall Switch offers support for three distinct scenes, each of which configures a specific light color and intensity setting. These scenes are distinguished by the three LED Indicators at the top, with each scene having its unique LED Indicator color. To cycle through the scenes, short press the scene button, which will cycle through Green, Red, and Blue.

Default scenes:

- 1) Intensity 100%, CCT = 100% Cold (**Green LED Indicator**)
- 2) Intensity 100%, Color Temperature (CCT) = 50% Cold / 50% Warm (**Red LED Indicator**)
- 3) Intensity 100%, CCT 100% Warm (**Blue LED Indicator**)

Setup a new scene (optional):

- A. Adjust the intensity slider and color slider by moving the sliders to your desired levels.
- B. Long press the scene button until the indicator light stops blinking.
- C. The scene has been saved



Customer Support

For technical questions regarding the installation or operation of this product, please contact our customer support team:

+1 216-208-4974 www.enoled.com

Application SetUp

Download the Smart Life

Scan the QR code to download the App.



Scan to
Download
the App

