

# NanoDrive Series

40W 24VDC 0-10V Dimmable CV LED Driver



# NanoDrive

## 40W 24VDC 0-10V Dimmable CV LED Driver



### Description

The NanoDrive 0-10V Dimmable Driver offers a super compact metal case with a built-in junction box. Dimming is smooth down to 1% with any standard 0-10V dimmer switch or system. With high efficiency performance, these drivers are designed to power any 24VDC LED strip. Its IP65 rating and universal input voltage make it the perfect choice for any application.



### Features

- 0-10V Dimmable
- Flicker-Free Dimming to 1%
- Super compact metal case
- Built-in wiring compartments with knock-out
- Universal 120-277VAC Input Voltage
- 90% efficiency
- IP65 rated for indoor and outdoor use
- Class 2 Output
- Current limit over load protection

### Applications

- LED Strip
- LED Tape
- LED Cove
- LED Linear
- Puck Lights

### Dimming

<b>Dimming Protocol:</b>	0-10V
<b>Min. Dimming Level:</b>	1%
<b>Dimming Curve:</b>	Linear
<b>Current Consumption:</b>	0.2mA Max Source / Sinc

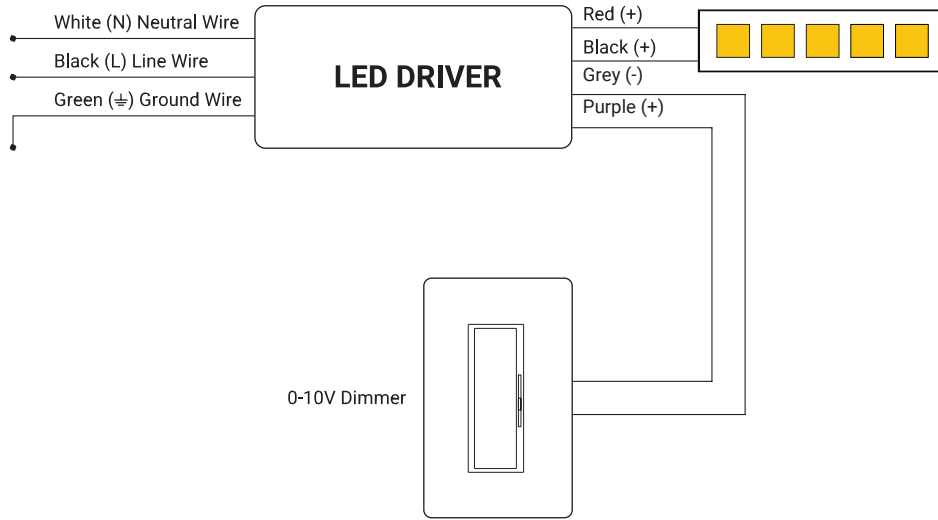
### Specifications

<b>Part Number</b>	NANO-40W-24DC
<b>Max Power:</b>	40W
<b>Input Voltage:</b>	120-277VAC
<b>Input Frequency:</b>	50-60Hz
<b>Input Current:</b>	1.33A max
<b>Inrush Current:</b>	<50A
<b>Output Voltage:</b>	24VDC
<b>Output Current:</b>	1.66A
<b>Load Regulation:</b>	+/-1%
<b>Turn on delay time:</b>	0.45s
<b>Efficiency@ full load:</b>	85%
<b>Operating Ambient temp:</b>	-13°F - 104°F
<b>Over Temp Protection:</b>	Yes / Hiccup Mode
<b>Over Load Protection:</b>	Yes / Current Limit
<b>Short Circuit Protection:</b>	Yes / Hiccup Mode
<b>Warranty:</b>	6-Year
<b>IP Rating:</b>	IP65 1.433lbs
<b>Weight: Dimensions (W x H x L):</b>	1.97" x 1.45" x 8.77"

# NanoDrive

## 40W 24VDC 0-10V Dimmable CV LED Driver

### Wiring Diagrams



### Mechanical Diagrams

