

CyanRGBCW System Installation Instructions

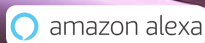


Table Of Contents

| | |
|--|-------|
| Preparations & Notes | 2 |
| RGB+CCT Wall Switch Installation - Single Pole | 3 |
| 3-Way Wall Switch Installation | 4-6 |
| CyanController Installation | 7 |
| Pairing the Wall Switch to the Controller | 8 |
| Cyan Wall Switch User Interface | 9 |
| Smart Life App Setup | 10-11 |

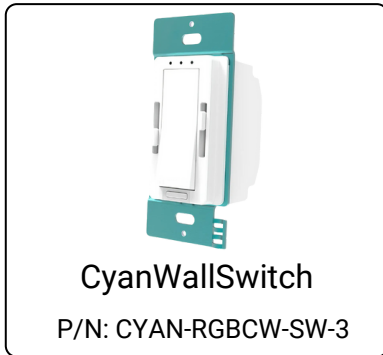
Preparations

System Contains



CyanController

P/N: STCV-B-100W-C-RGBCW



CyanWallSwitch

P/N: CYAN-RGBCW-SW-3

One Wall Switch can control up to 32 controllers

Important Notes

- Risk of Electric Shock. Turned off at the circuit breaker before installing.
- Install according to your local electrical code.
- Please note that the Controller and the Wall Switch are intended for indoor use only.
- Do not install in an enclosure or any type of closed tank.

Get Ready Before Installation

- Ensure a stable Wi-Fi connection and have the password ready for network access.
- Ensure your mobile device is running iOS 13.3 or higher for Apple devices and Android 9.0 or higher for Android devices.
- Make sure a 2.4GHz Wi-Fi network is available. (The Smart Life App cannot operate with a 5GHz network)

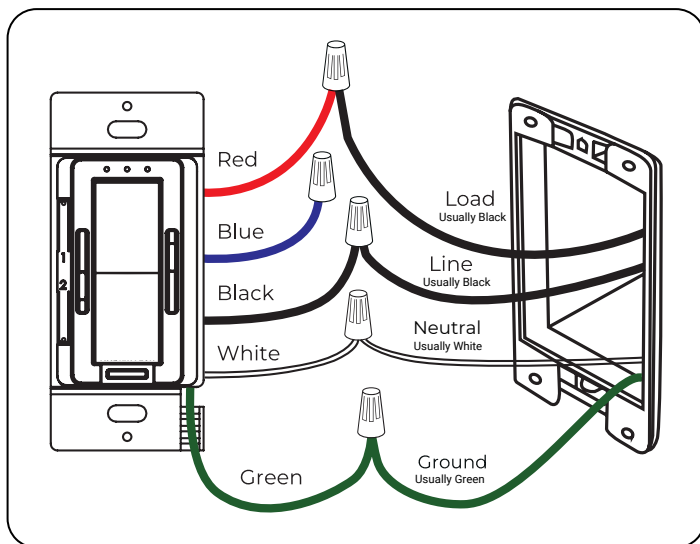
RGB+CCT Wall Switch Installation - Single Pole

Lights switched from one location

Step 1

Ensure that the power is turned off at the circuit breaker and make wiring connections according to the diagram below. Before disconnecting the old switch wire, tag the line (Hot) wire.

1. Connect the ground wire to the Green wire of the Wall Switch.
2. Locate the Neutral wire inside the wall box (which might not have been used in the old installation) and connect it to the white wire of the Wall Switch.
3. Connect the tagged Line/Hot wire to the Black Wall Switch wire.
4. Connect the Load wire to the Red Wall Switch wire.
5. Cap the blue Wall Switch wire using a wire nut.



Note!

The wall switch must be installed before proceeding with the CyanController installation.

Step 2

Securely mount the Wall Switch into the wall box using the appropriate screws.

3-Way Wall Switch installation

For lights switched on/off from two locations

Preparations

Installation begins by removing the wall plates and screws from both sides of the three-way switches. Carefully detach the switches from the wall, ensuring the wires stay connected. Securely hang the switches from the wires as you proceed with the installation. Before disconnecting any wires, identify and mark the wire that is attached to the 'Common' terminal, which is in a uniquely colored screw.

Find out if the wall box in which you want to install the dimmer is on the line side or the load side of the three-way.

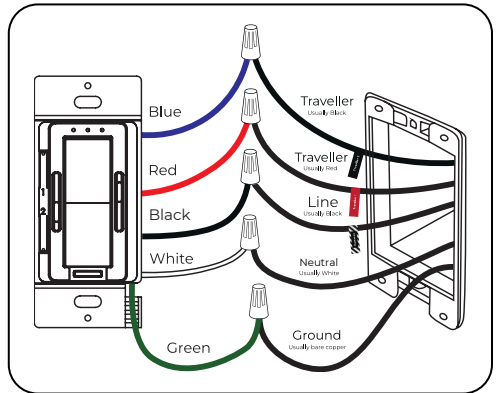
3-Way Line Side Installation

Note: only one of the switches can be a RGBCW Wall Switch.

Step 1

1. Connect the ground wire to the Green wire of the Wall Switch.
2. Locate the Neutral wire inside the wall box (which might not have been used in the old installation) and connect it to the white wire of the Wall Switch.
3. Locate the "Common" wire inside the wall box and connect it to the Black wire of the Wall Switch.
4. Connect "Traveller 1" wire to the Red wire of the Wall Switch.
5. Connect "Traveller 2" wire to the Blue wire of the Wall Switch.
6. Securely mount the Wall Switch into the wall box using the appropriate screws.

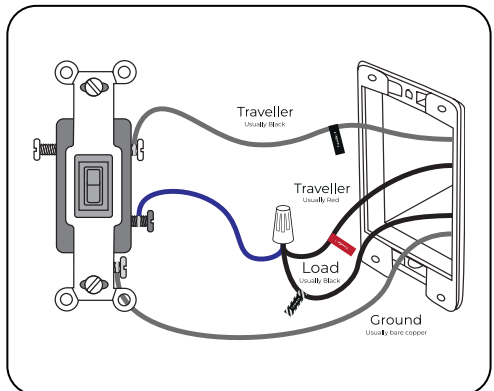
Make wiring connections according to the diagram below at the **line-side** wall box.



Step 2

1. Disconnect the "Common" wire and "Traveller 1" wire from the switch.
2. Connect the 2 disconnected wires with a Jumper wire (pigtail).
3. Connect the jumper wire to the colored screw (Common) of the switch.
4. Connect the "Traveller 2" wire to one of the remaining screws.
5. Connect the ground wire to the Green wire.
6. Mount the Wall Switch securely into the wall box using the appropriate screws.
7. Turn the power on at circuit breaker and test the switches on both sides of the 3-way to ensure they are functioning correctly before proceeding.

Make wiring connections to the on/off switch at the **other-side** wall box according to the diagram below.



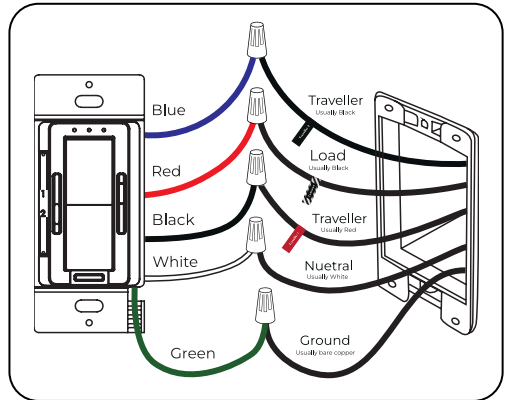
3-Way Load Side Installation

Note: only one of the switches can be a RGBCW Wall Switch.

Step 1

1. Connect the ground wire to the Green wire of the Wall Switch.
2. Locate the Neutral wire inside the wall box (which might not have been used in the old installation) and connect it to the white wire of the Wall Switch.
3. Locate the "Common" wire inside the wall box and connect it to the Red wire of the Wall Switch.
4. Connect "Traveller 1" wire to the Black wire of the Wall Switch.
5. Connect "Traveller 2" wire to the Blue wire of the Wall Switch.
6. Securely mount the Wall Switch into the wall box using the appropriate screws.

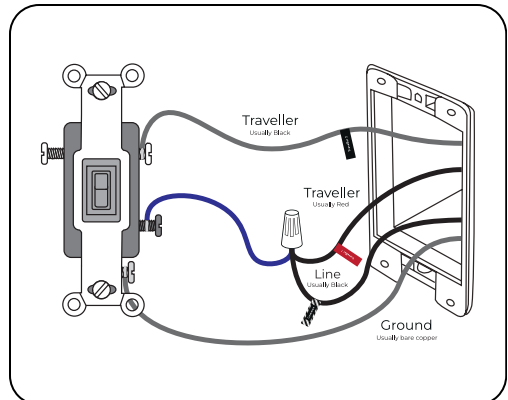
Make wiring connections according to the diagram below at the **Load-side** wall box.



Step 2

1. Disconnect the "Common" wire and "Traveller 1" wire from the switch.
2. Connect the 2 disconnected wires with a Jumper wire (pigtail).
3. Connect the jumper wire to the colored screw (Common) of the switch.
4. Connect the "Traveller 2" wire to one of the remaining screws.
5. Connect the ground wire to the Green wire.
6. Mount the Wall Switch securely into the wall box using the appropriate screws.
7. Turn the power on at circuit breaker and test the switches on both sides of the 3-way to ensure they are functioning correctly before proceeding.

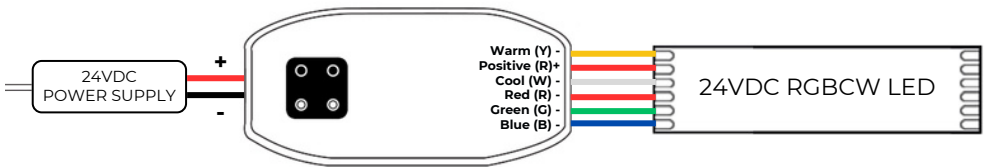
Make wiring connections to the on/off switch at the **other-side** wall box according to the diagram below.



CyanController Installation

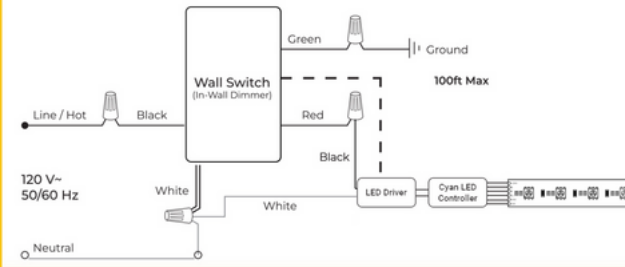
Make wire connections according to the wiring diagram below.

| Quick Specs | |
|------------------------|------------------------------------|
| Input / Output Voltage | 24VDC |
| Max Power | 24V (4A) |
| Ambient Temp | -30 °C - + 40 °C / -86°F - + 104°F |
| Environment | Dry and Damp Location |

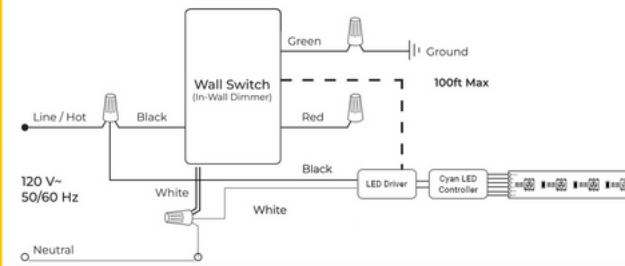


Wiring Diagrams Overview

Wired Wall Switch Wiring Diagram

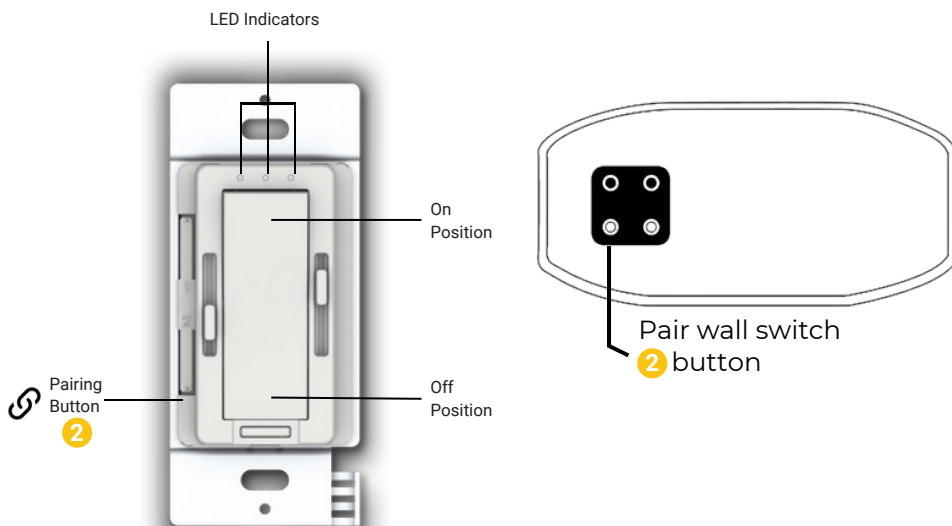


Non-Wired Wall Switch Wiring Diagram



Pairing the Wall Switch to the Controller(s)

1. Turn the Power On at the circuit breaker.
 2. Adjust both sliders on the Wall Switch to their maximum positions and ensure the pedal switch is in the "on" position.
 3. Short-press the 'Pair Wall Switch' Button' (2) on the Cyan Controller(s).
The LED light will blink slow, indicating that the Cyan Controller is now ready to be paired to the Cyan Wall Switch.
 4. Press the 'Pairing Button' (2) on the Cyan Wall Switch. A green LED Indicator will blink until pairing is complete.
 5. To confirm successful pairing, adjust the sliders and ensure that the LEDs responds accordingly.
- If one or more Cyan Controller fail to pair, repeat the pairing process.



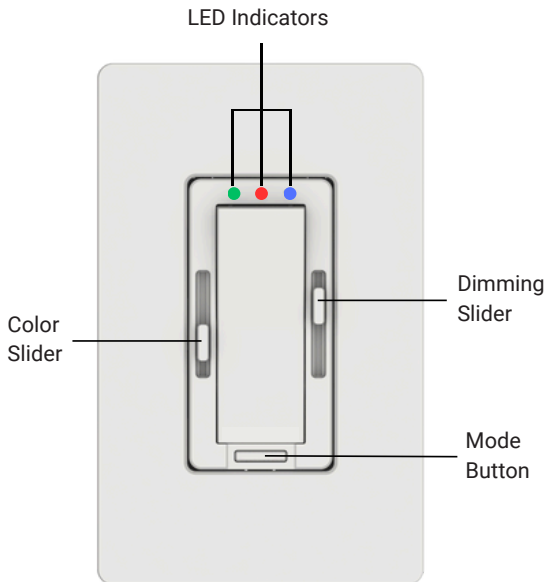
CyanWallSwitch User Interface

1. On/Off Switch - Turn the lights on/off
2. Dimming Slider - Adjust the light intensity
3. Color Slider - Change the light Color
4. Mode Button:

A. Short Press: Select Mode: CCT | RGB | Pastel

B. Long Press: (5s): Save Scene

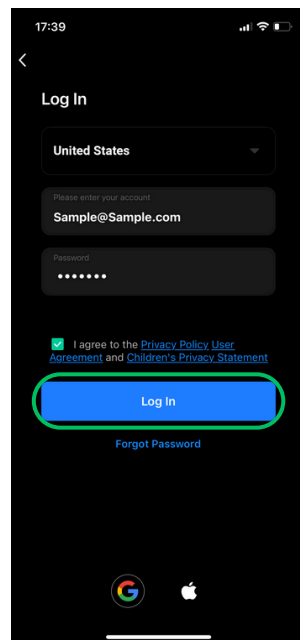
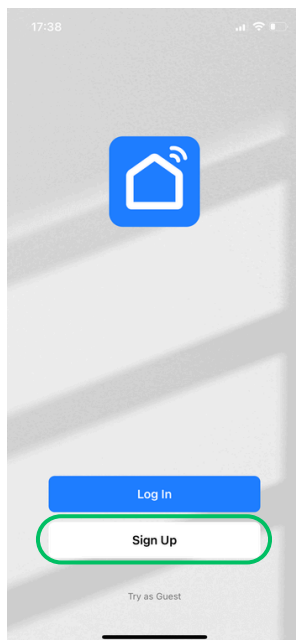
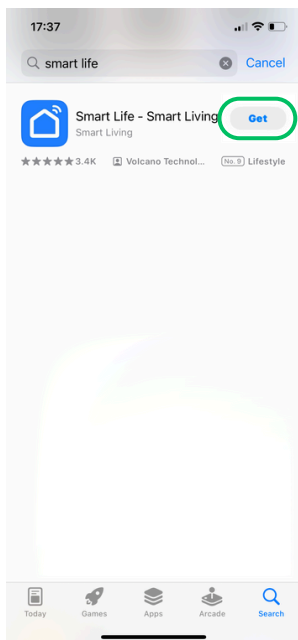
| Mode / Indicator | Green LED | Red LED | Blue LED |
|------------------|----------------|----------------|-------------------|
| Short Press | CCT Mode | RGB Mode | Pastel Mode |
| Long Press (5s) | Save CCT Scene | Save RGB Scene | Save Pastel Scene |



Smart Life App Setup

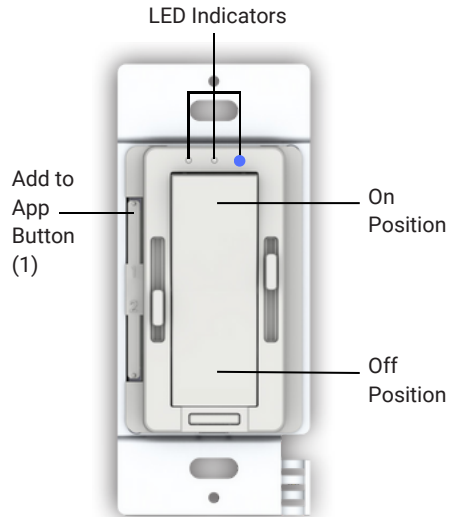
Before setting up the Smart Life App, ensure that you have successfully paired the Dimmer with the CyanController (refer to page 8)

1. Search for the Smart Life App on the App Store (iOS) or Google Play (Android) and proceed with the installation.
2. Register a Smart Life account.
3. Log in with your email address and password.

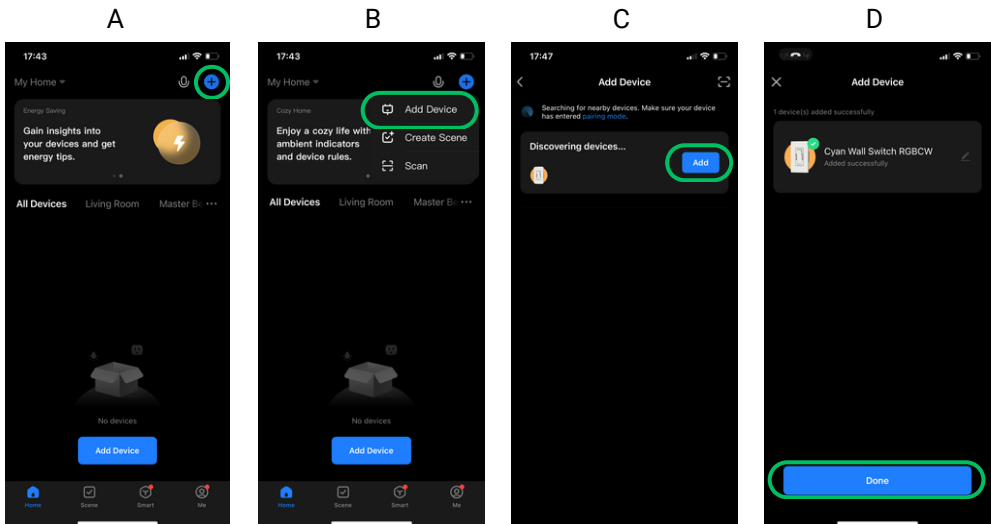


4. With the switch in the 'on' position, short press the 'Add to App button' (1) on the Wall Switch.

The Blue LED indicator will blink indicating that the Wall switch (Device) is ready to be added to the Smart Life App.



5. Enable Bluetooth and WIFI on your smartphone and proceed to add a device (Wall Switch).



CyanRGBCW System

Installation Instructions

Customer Support

For technical questions regarding the installation or operation of this product, please contact our customer support team



+1 216-208-4974