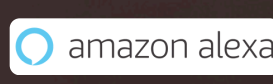
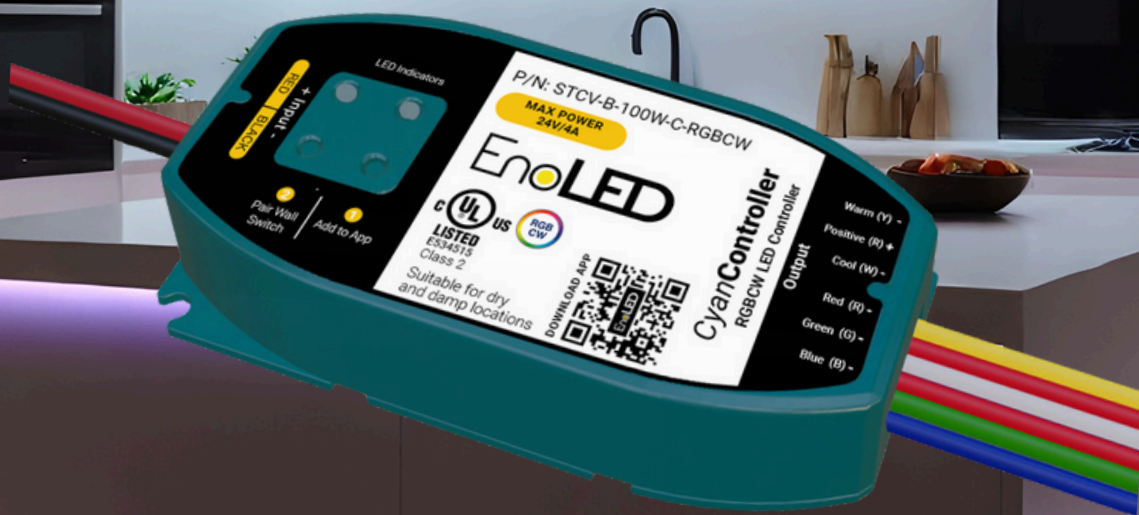


CyanController

RGBCW LED Controller

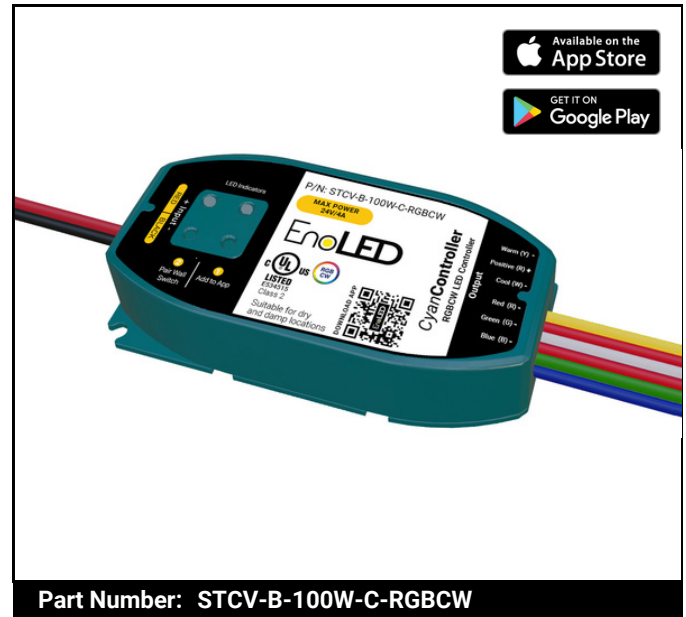


CyanController RGBCW Smart LED Controller



Features

- Seamlessly integrate with the Smart Life app to control color dimming and advanced features like timers, save scenes, and more.
- Voice control via Amazon Alexa or Google Home.
- Compatible with the CyanRGBCW wall switch, allowing you to control multiple CyanControllers and create zones for your lighting setup.
- Wi-Fi and Bluetooth quick pairing.
- Maintain control over your lights using your phone network, even if your Wi-Fi goes down.
- Install easily with mounting screws or a 3M adhesive pad.
- Flicker-Free Dimming: Enjoy flicker-free soft dimming down to 0.1%.



Electrical Specifications

Specifications	Description
MaxPower:	100W/4A
Rated Voltage:	24VDC
Channels:	5 (RGBCW)
Protection:	Over load, short circuit
Ambient Operating Temp:	-30 °C - + 40 °C / -86°F - + 104°F
IP Rating:	23 (Dry and damp locations)

Control Specification

Specifications	Description
Control Method:	Smart Life App / CyanWallSwitch
Dimming Range:	0.1 - 100%
Color Control:	RGB + Tunable White
Dimming Method:	PWM (2400Hz)
Max Units:	32 if used with the CyanWallSwitch

Control Options

Smart Phone



CyanWallSwitch



P/N: CYAN-RGBCW-SW3

Voice Control

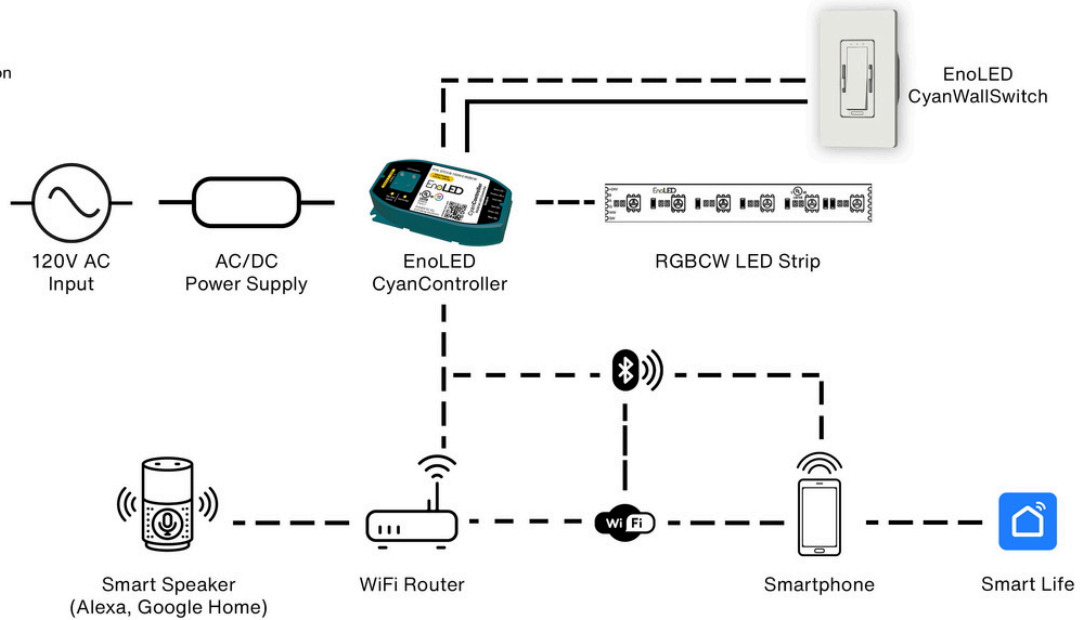


CyanController RGBCW Smart LED Controller

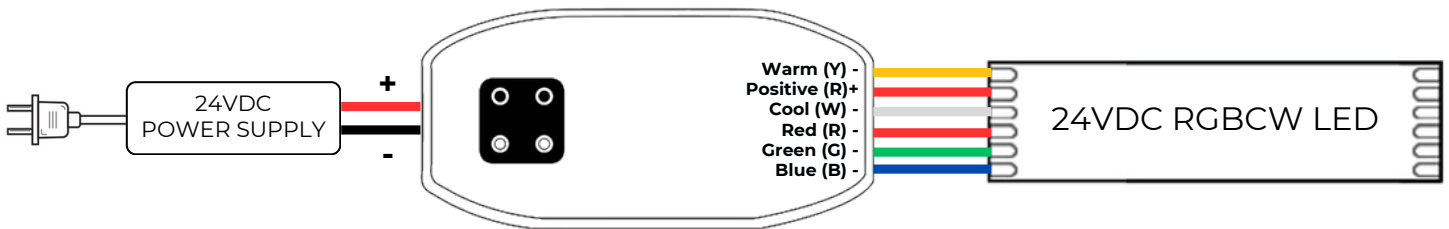


System Setup

— Wired Connection
- - - Wireless Connection



Wiring Diagram



Mechanical Specifications

