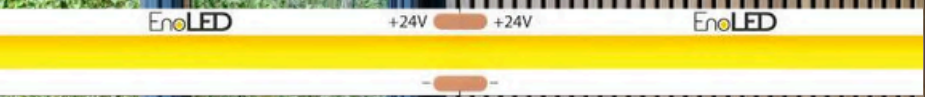


CATALOG 2024

Welcome to EnoLED, a leading manufacturer of Cutting Edge Lighting Technologies



XRD Series

12/24VDC Super Compact Phase Cut Dimmable, Class 2, J-Box LED Drivers



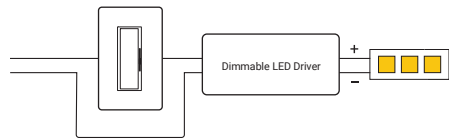
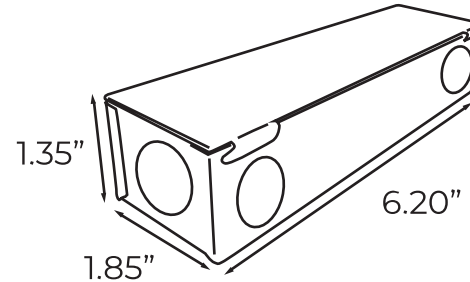
Class 2

24 VDC

12 VDC

SPECIFICATIONS:

- **Input voltage:** 120VAC
- **Output voltage:** 12 / 24VDC
- **Max load:** 40W, 60W, 75W, 96W
- **Dimmable:** CLF / LED / MLV / ELV
- **Minimum dimming:** 0.1%
- **Dimensions:** 6.20"×1.85"×1.35" (L*W*H)
- **Environmental:** Dry & Damp Location
- **Certification:** UL, Class 2



PART NUMBERS:

- XRD-96W-24VDC
- XRD-75W-24VDC
- XRD-60W-24VDC
- XRD-40W-24VDC
- XRD-60W-12VDC
- XRD-40W-12VDC



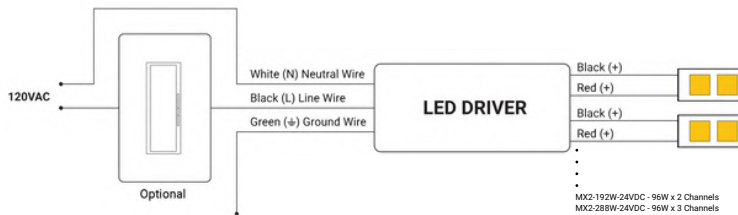
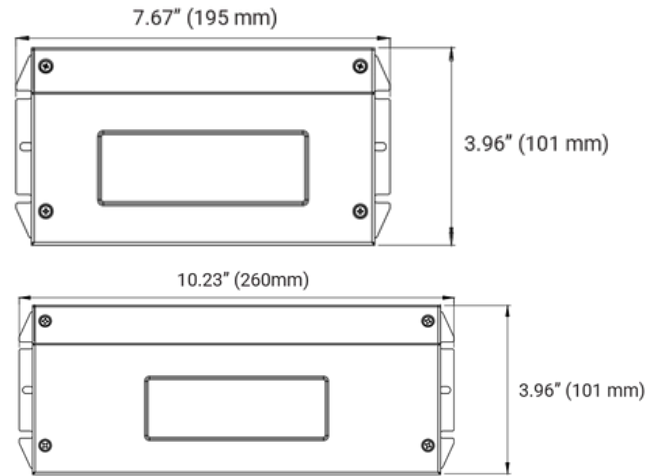
MX2 Series

24VDC Multi Output Phase Cut
Dimmable, Class 2, J-Box LED Drivers



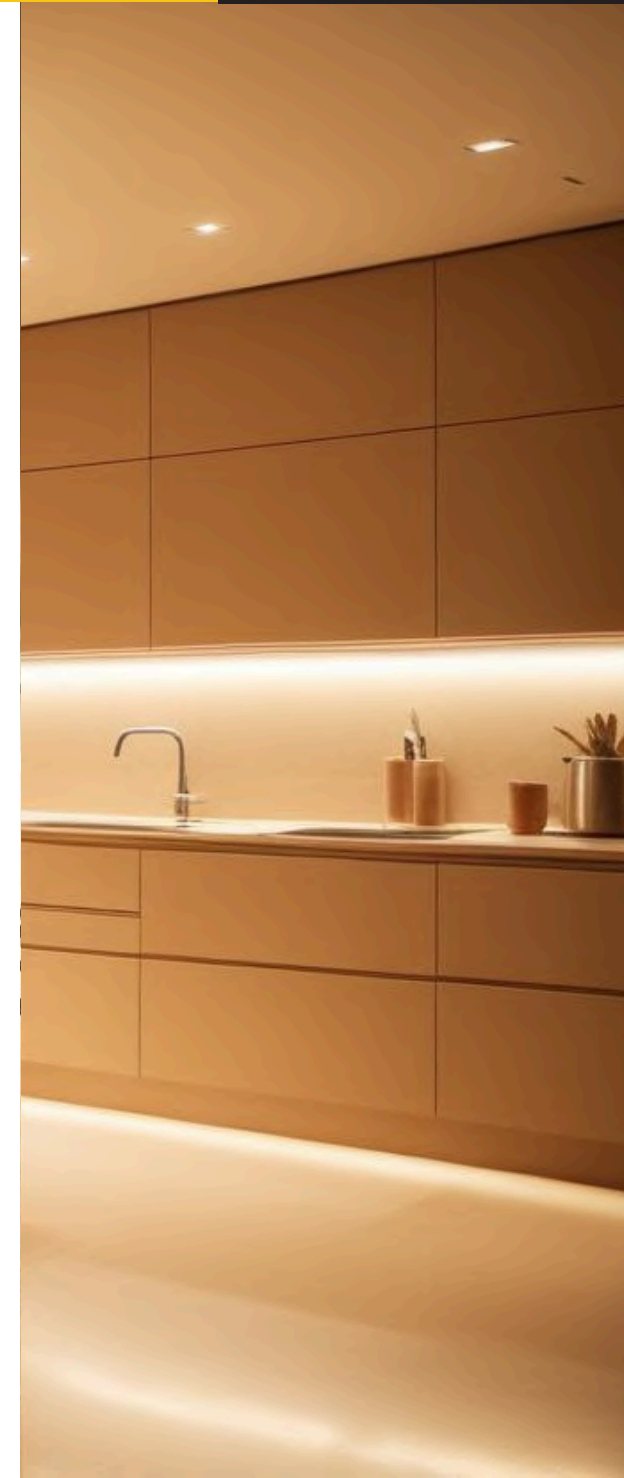
SPECIFICATIONS:

- **Input voltage:** 120VAC
- **Output voltage:** 24VDC
- **Max load:** 96W x 2, 96W x 3
- **Dimmable:** CLF / LED / MLV / ELV
- **Minimum dimming:** 0.1%
- **Environmental:** Dry & Wet Location
- **Certification:** UL, Class 2
- **Dimensions:** 3.96" x 1.61" x 7.67" (192W)
3.96" x 1.61" x 10.23"(288W)



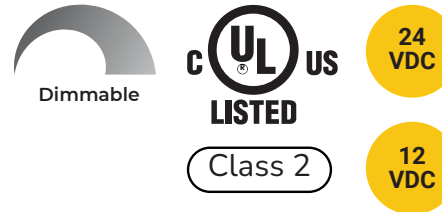
PART NUMBERS:

MX2-192W-24VDC
MX2-288W-24VDC



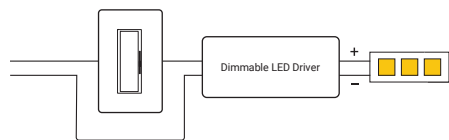
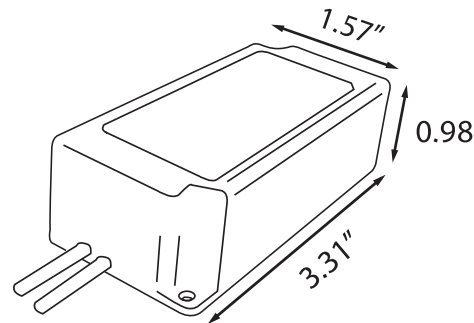
MRD Series

Super Compact Phase Cut Dimmable,
Class 2, LED Drivers



SPECIFICATIONS:

- **Input voltage:** 120VAC
- **Output voltage:** 12 / 24VDC
- **Max load:** 40W, 60W, 75W, 96W
- **Dimmable:** CLF / LED / MLV / ELV
- **Minimum dimming:** 0.1%
- **Dimensions:** 3.31"×1.57"×0.98" (L*W*H)
- **Environmental:** Dry & Damp Location
- **Certification:** UL



PART NUMBERS:

- MRD-96W-24VDC
- MRD-75W-24VDC
- MRD-60W-24VDC
- MRD-40W-24VDC
- MRD-60W-12VDC
- MRD-40W-12VDC



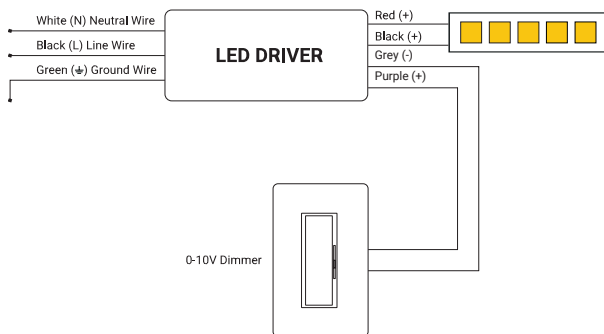
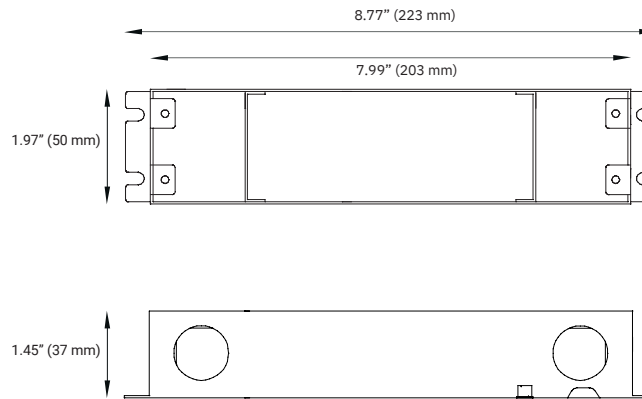
NanoDrive

0-10V Dimmable Class 2 J-Box LED Drivers



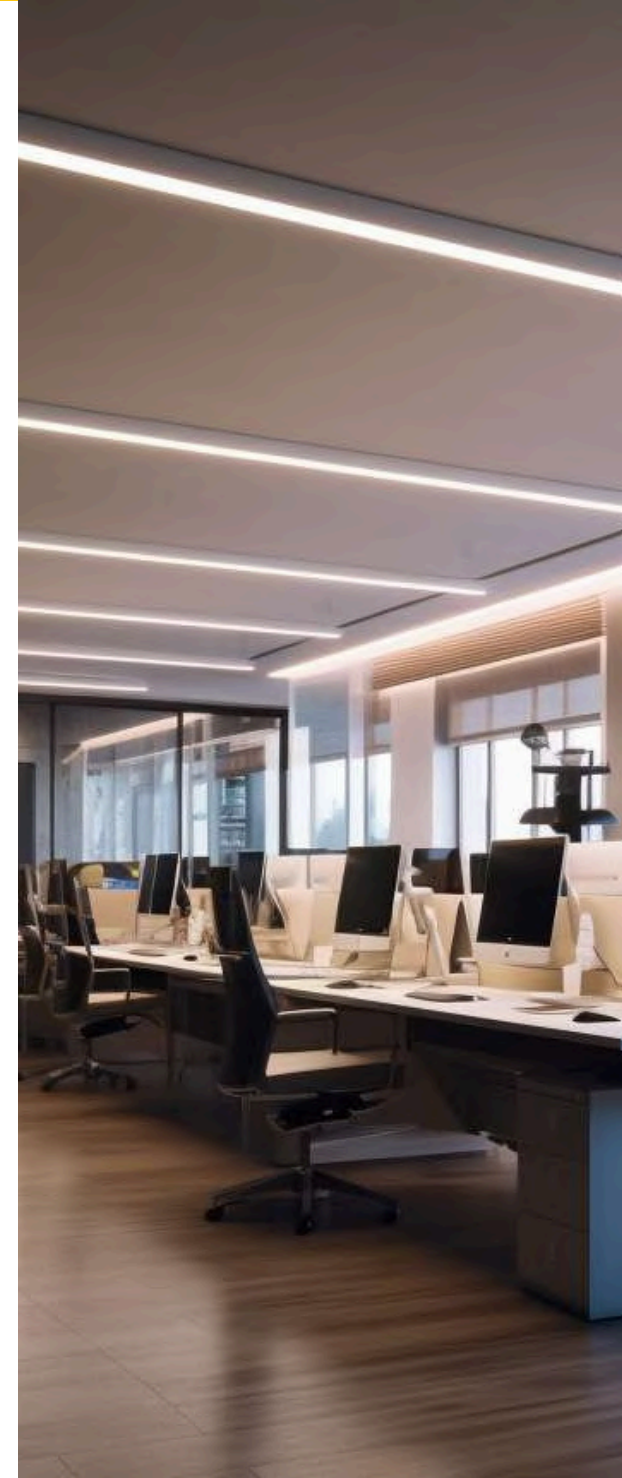
SPECIFICATIONS:

- **Input voltage:** 120-277VAC
- **Output voltage:** 24VDC
- **Max load:** 96W, 60W, 40W
- **Dimmable:** 0-10V
- **Minimum dimming:** 1%
- **Dimensions:** 1.97" x 1.45" x 8.77"
- **Environmental:** Dry & Wet Location
- **Certification:** ETL, CE, FCC



PART NUMBERS:

- NANO-96W-24VDC
- NANO-60W-24VDC
- NANO-40W-24VDC



ELD Series

Ultra Slim IP67 Plug In LED Drivers

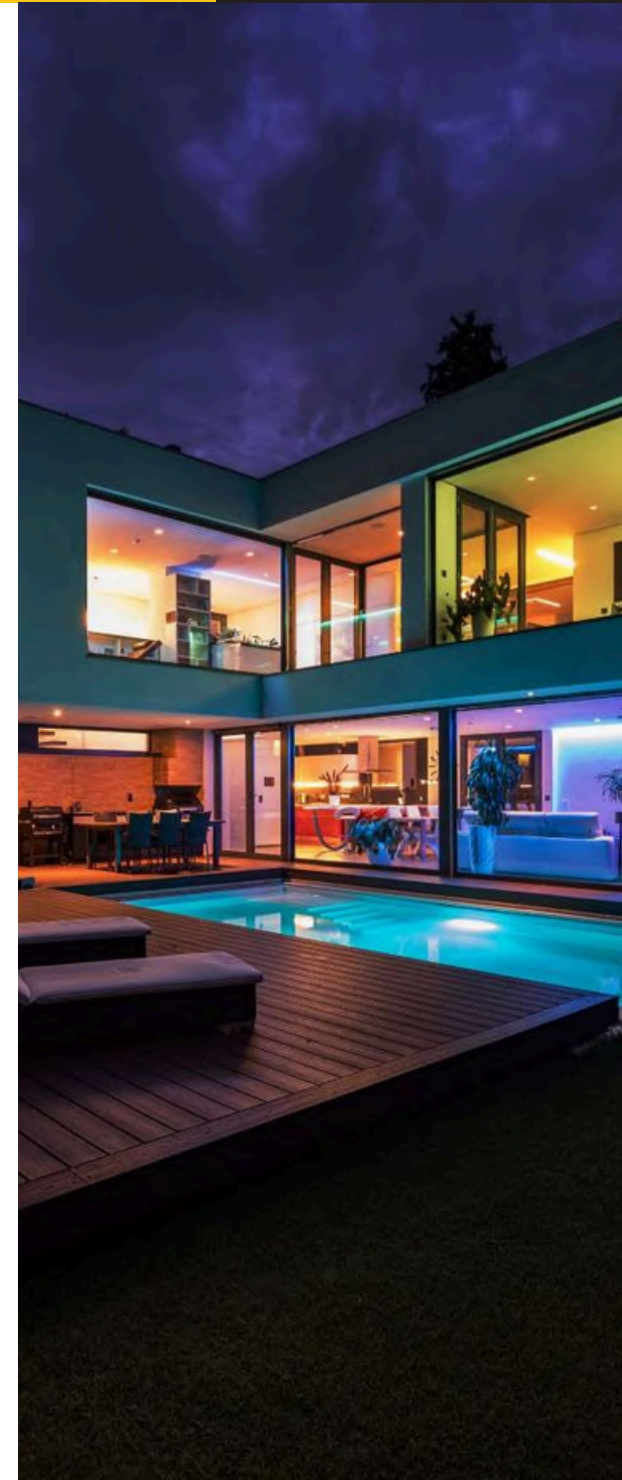
SPECIFICATIONS:

- **Input voltage:** 120VAC
- **Output voltage:** 24VDC
- **Max load:** 60W, 100W, 150W, 200W
- **Environmental:** IP67 Dry, Damp Location & Wet Locations
- **Certification:** UL



PART NUMBERS:

- ELD-60W-24VDC-UL
- ELD-100W-24VDC-UL
- ELD-150W-24VDC-UL
- ELD-200W-24VDC-UL



XLG Series

Super Compact IP67 LED Drivers



SPECIFICATIONS:

Input voltage: 120-277VAC

Output voltage: 24VDC

Max load: 100W (class 2), 150W, 200W

Environmental: IP67 Dry, Damp Location & Wet Locations

Certification: UL

DIMENSIONS:

100W: 5.51" x 2.48" x 1.25"

150W: 7.08" x 2.48" x 1.39"

200W: 7.83" x 2.48" x 1.39"



PART NUMBERS:

XLG-100W-24VDC-UL

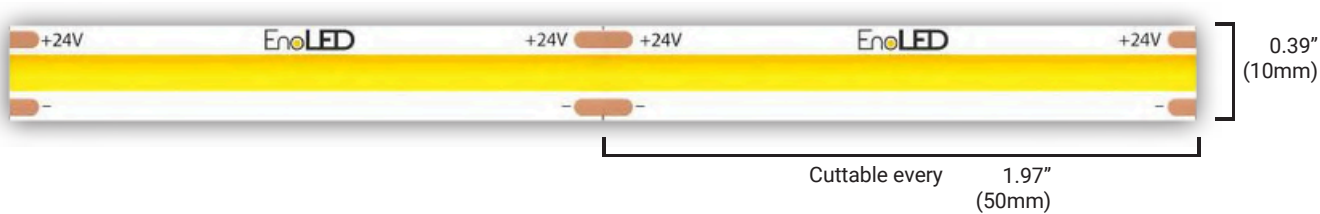
XLG-150W-24VDC-UL

XLG-200W-24VDC-UL



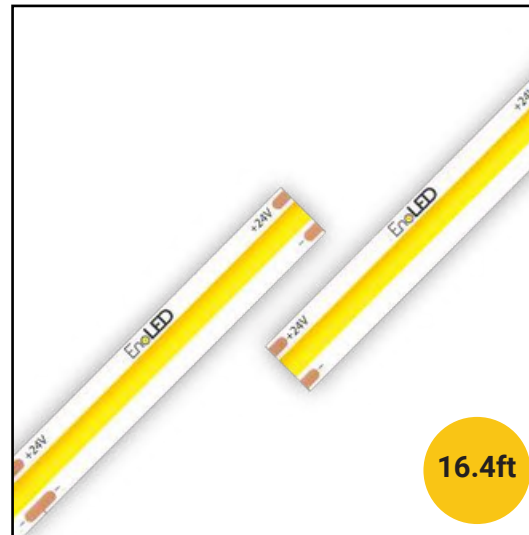
UniBasic COB

24VDC Performance and Value COB LED Tape Light



SPECIFICATIONS:

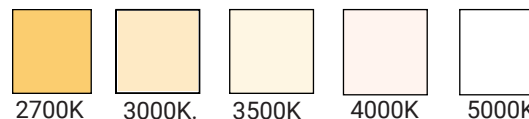
- **Input voltage:** 24VDC
- **Power:** 3W/ft
- **Lumens:** 293lm/ft - 347lm/ft
- **CRI:** 90+
- **Environment:** IP20
- **Dimensions (W x H x L):** 0.39" x 0.05" x 196.85"
- **Dimming options:** Incandescent, CLF, LED, MLV, ELV, 0-10V, Wireless
- **Adhesive:** 3M
- **Wire:** 36" lead wire & connectors included



PART NUMBERS:

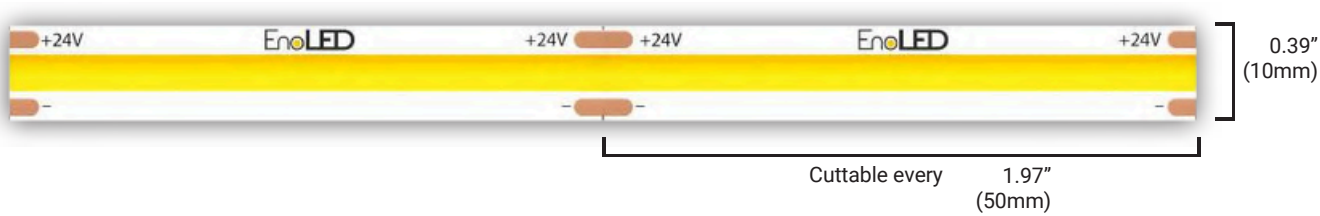
- UniBasic-27-16
- UniBasic-30-16
- UniBasic-35-16
- UniBasic-40-16
- UniBasic-50-16

Available Color Temperatures:



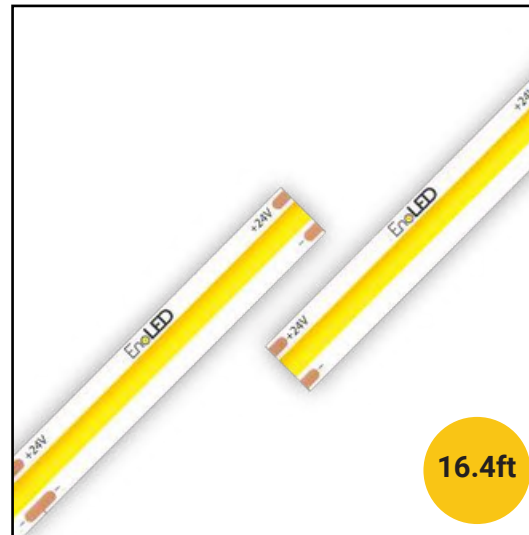
UniPlus COB

24VDC Performance and Value COB LED Tape Light



SPECIFICATIONS:

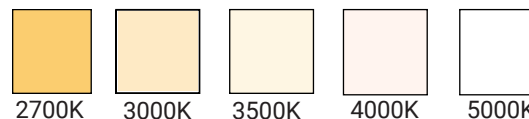
- **Input voltage:** 24VDC
- **Power:** 4.6W/ft
- **Lumens:** 432lm/ft - 511lm/ft
- **CRI:** 90+
- **Environment:** IP20
- **Dimensions (W x H x L):**
0.39" x 0.05" x 196.85"
- **Dimming options:** Incandescent, CLF, LED, MLV, ELV, 0-10V, Wireless
- **Adhesive:** 3M
- **Wire:** 36" lead wire & connectors included



PART NUMBERS:

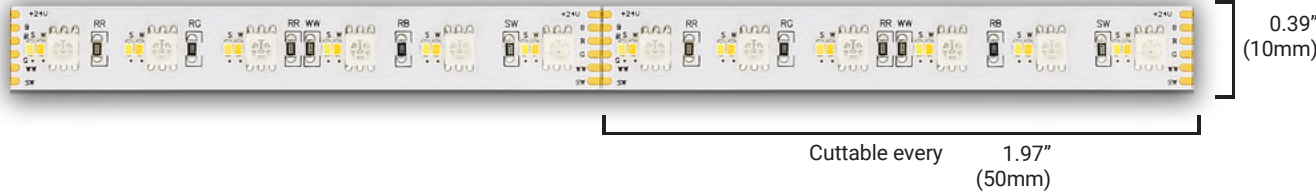
- UniPlus-27-16
- UniPlus-30-16
- UniPlus-35-16
- UniPlus-40-16
- UniPlus-50-16

Available Color Temperatures:



DynamicPlus

24VDC Flexible LED Strip Multi-Color RGB+TW



SPECIFICATIONS:

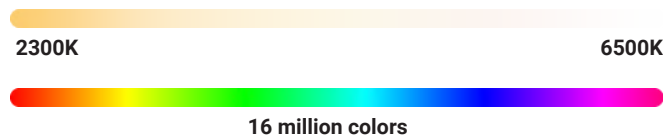
- **Input voltage:** 24VDC
- **Color Temperature:** RGB + TW
2300K-6500K
- **Power:** 7.92W/ft
- **Lumens:** 453lm/ft
- **CRI:** 90+
- **Environment:** IP20
- **Dimensions (W x H x L):**
0.39" x 0.05" x 196.85"
- **Adhesive:** 3M
- **Wire:** 36" lead wire & connectors included



PART NUMBER:

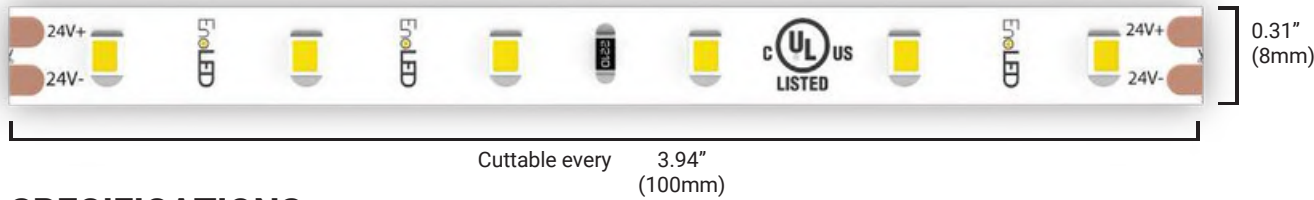
DynamicPlus-16

Color Temperatures:



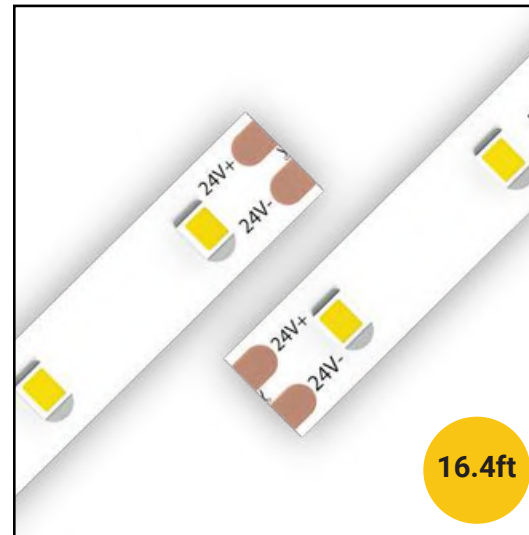
OrroBasic

24VDC, 16.4ft Performance & Value LED Tape Light



SPECIFICATIONS:

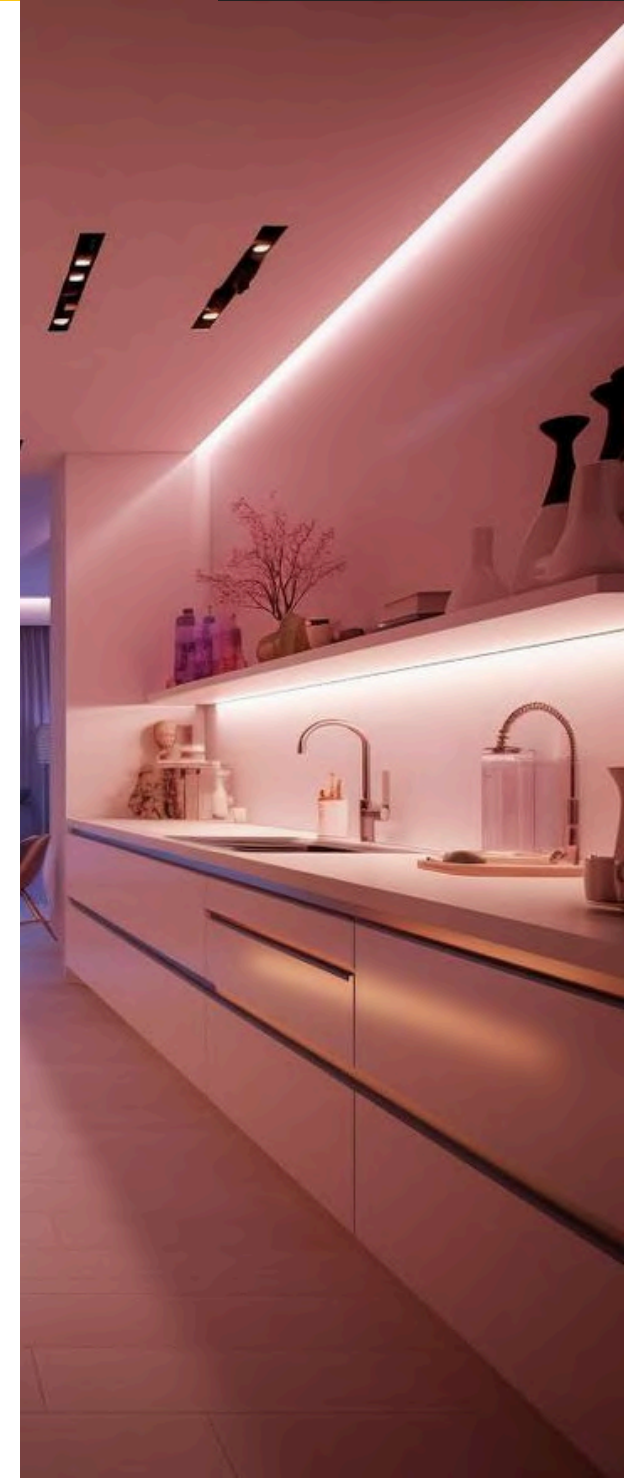
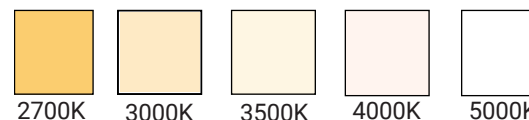
- **Input voltage:** 24VDC
- **Power:** 2.2W/ft
- **Lumens:** 211lm/ft
- **CRI:** 90+
- **Environment:** IP20
- **Dimensions (W x H x L):** 0.31" x 0.055" x 196.85"
- **Dimming options:** Incandescent, CLF, LED, MLV, ELV, 0-10V, Wireless
- **Adhesive:** Red 3M
- **Wire:** 36" lead wire & connectors included



PART NUMBERS:

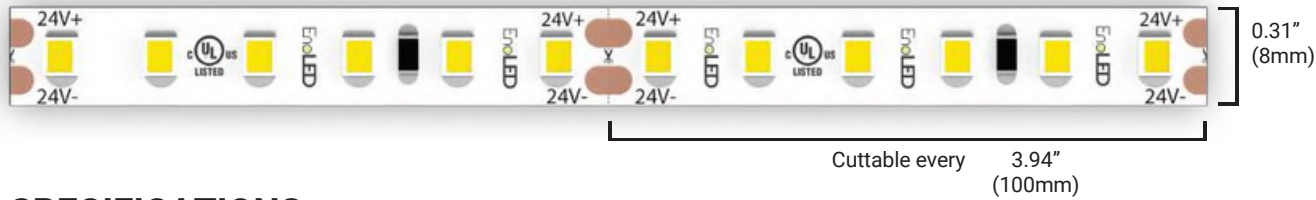
- OrroBasic-27-16
- OrroBasic-30-16
- OrroBasic-35-16
- OrroBasic-40-16
- OrroBasic-50-16

Available Color Temperatures:



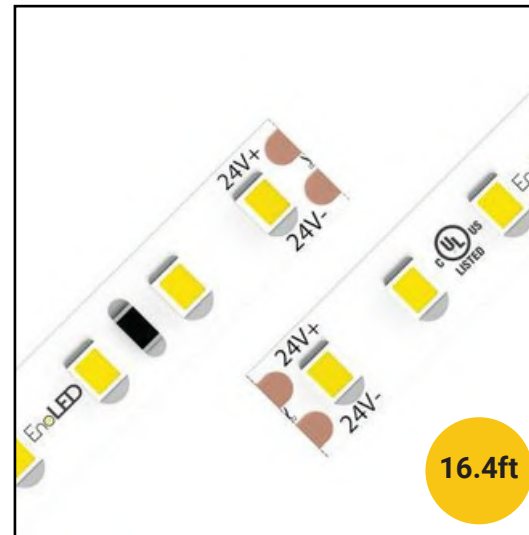
OrroPlus

24VDC, 16.4ft Performance & Value LED Tape Light



SPECIFICATIONS:

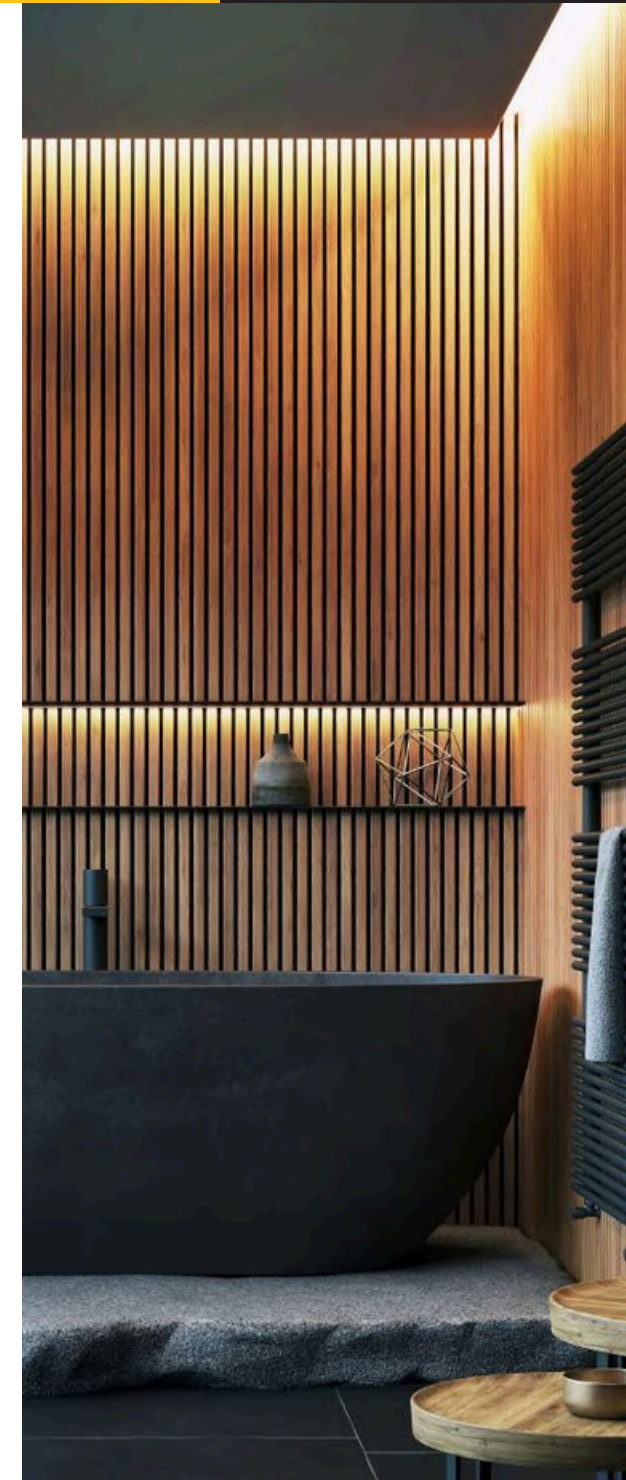
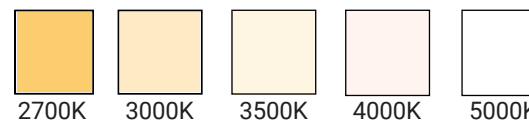
- **Input voltage:** 24VDC
- **Power:** 4.4W/ft
- **Lumens:** 422lm/ft
- **CRI:** 90+
- **Environment:** IP20
- **Dimensions (W x H x L):** 0.31" x 0.055" x 196.85"
- **Dimming options:** Incandescent, CLF, LED, MLV, ELV, 0-10V, Wireless
- **Adhesive:** Red 3M
- **Wire:** 36" lead wire & connectors included



PART NUMBERS:

- OrroPlus-27-16
- OrroPlus-30-16
- OrroPlus-35-16
- OrroPlus-40-16
- OrroPlus-50-16

Available Color Temperatures:



CyanRGBCW System

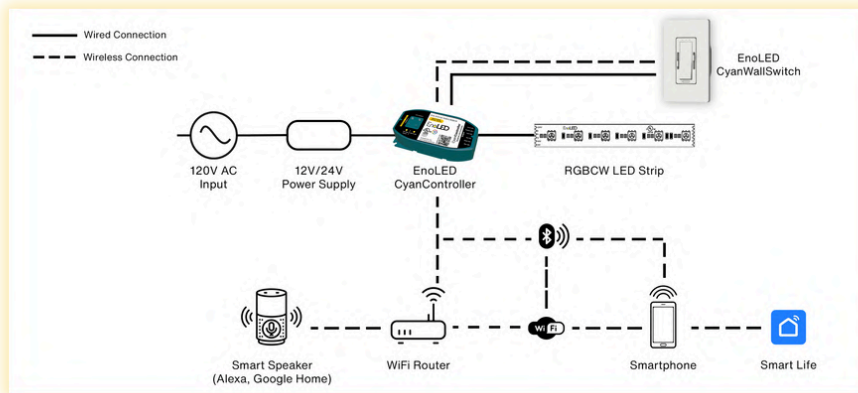
RGBCW LED Controller + Wall Switch



Class 2

SPECIFICATIONS:

- **Input / Output Voltage:** 24VDC
- **Controller Max Power:** 100W /
- **Wall Switch Max Power:** Wired: 500W
Non-Wired: Unlimited Power (up to 32 controllers)
- **Load Type:** RGBCW LED Tape
- **Control Options:** Wall Switch / Smart Life App / Amazon Alexa / Google Assistant



PART NUMBER:

STCV-B-100W-C-RGBCW (LED Controller)
CYAN-RGBCW-SW3 (Wall Switch)

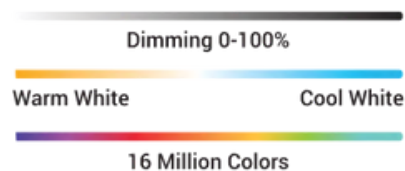
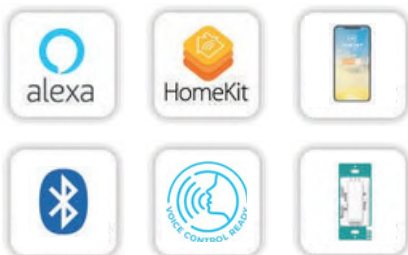


4" / 6" Downlight + Wall Switch Kit

Ultra-Thin RGB+CCT Wireless Downlight

SPECIFICATIONS:

- **Control options:** RGBCW Wall Switch/
App / Voice Control
- **Size:** 4 Inch / 6 Inch
- **Power:** 11.3W / 14.6W
- **CCT:** RGB+CCT(2700K-6000K)
- **Input voltage:** 120VAC
- **Lumens:** 920lm/ft / 1360lm/ft
- **CRI:** 90+
- **Mounting:** Recessed mount
- **Dimming:** 0-100%
- **Beam angle:** 110°
- **Operating temp:** -20°F -104°F



MADE IN ISRAEL



4" Downlight
1 Unit

6" Downlight
1 Unit

4" Downlight
4 Pack Kit
&
RGBCW Wall Switch

6" Downlight
4 Pack Kit
&
RGBCW Wall Switch



WSD-RGBCW-4

WSD-RGBCW-6

4PK-WSD-RGBCW-4

4PK-WSD-RGBCW-6

0-10V Dual Channel LED Driver & Wall Switch



Class 2

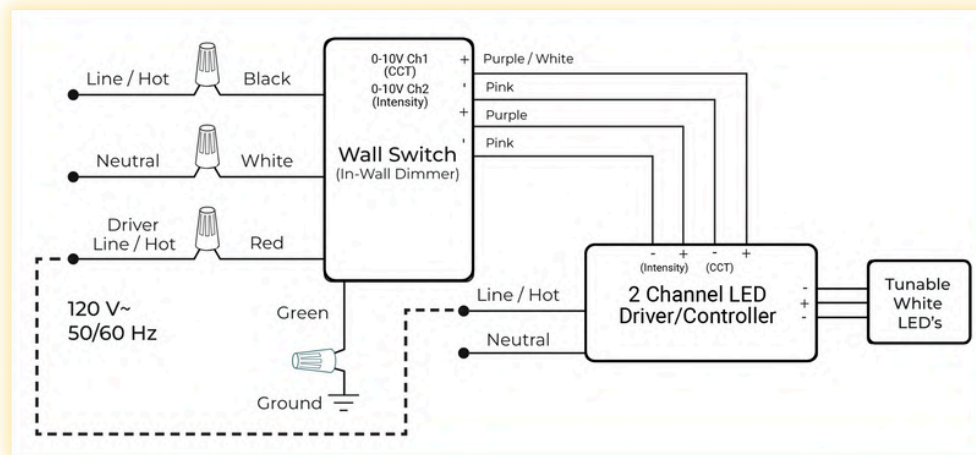
2CH 0-10V

ZeroDrive - LED Driver

| Specifications | Description |
|----------------|--------------------|
| Vin: | 120-277VAC |
| Vout: | 24VDC |
| Max Load: | 90W |
| Dimmable / CCT | 2 x 0-10V |
| Dimensions | 8.4" x 4.1" x 1.5" |

ZeroTone - Wall Switch

| Specifications | Description |
|----------------|-------------------------------|
| Input: | 120VAC 50/60Hz |
| Max Load | 500W |
| Dimmable / CCT | 2 x 0-10V |
| Control | SmartLife App + Voice Control |
| Installation | Multi-Gang / 3-Way |



PART NUMBER:

DT-24V-90W-N (ZeroDrive)
ZEROX2-NSW (ZeroTone)



CATALOG 2024



216-727-3618



customer@enoled.com



www.EnoLED.com