

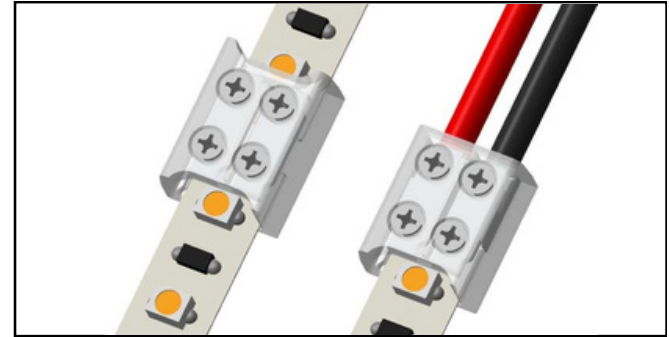
Screw LED Tape Connectors

10mm, 2 Wire, IP20 rated, 14-20 AWG Screw Connectors

Description

EnoLED's screw connectors streamline tape light installation, offering a simple and reliable power connection. Effortlessly link tape to tape or tape to wire with clean preparation and precise screw tightening for hassle-free functionality.

Fits inside channels for a clean, professional installation.

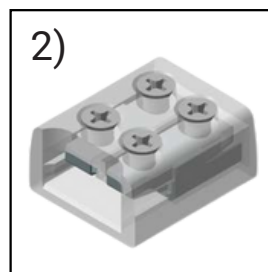
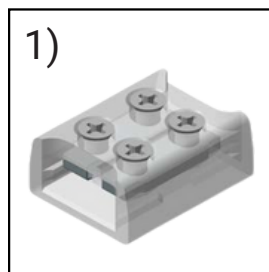


Features

- Tape to tape / Tape to wire options
- Compatible with 10mm Tapes and COB
- 6A Max Power
- Quick and clean connection
- Fits inside channels

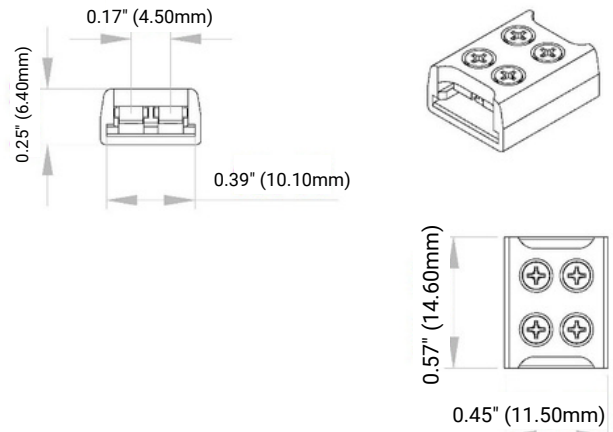
Ordering Information

Ordering Code	Description
1) ENO-SC-TT-10	0.39" (10mm) Tape to Tape connector
2) ENO-SC-TW-10	0.39" (10mm) Tape to wire connector

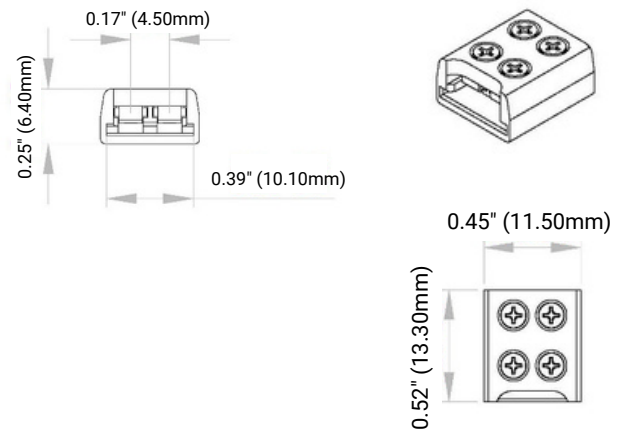


Dimensions

ENO-SC-TW-10 - Tape to Tape Connector



ENO-SC-TT-10 - Tape to Wire Connector



Compatible LED Tape

